

CONTRACT DATA SHEET

Monroe County Division of Purchasing
200 County Office Building, Rochester NY 14614

TITLE: 2015 HIGHWAY MATERIALS – GROUP II

CONTRACT #: 0104-15

CONTRACT DATES: 03/01/15 – 02/29/16

BUYER: SHARON A. BERNDT
PHONE: 585/753-1110
FAX: 585/753-1104

VENDOR(S): VARIOUS – SEE ATTACHED LIST

2015 HIGHWAY MATERIALS – GROUP II

| Contract# | Vendor # | Vendor Name | Awarded |
|------------------|-----------------|---------------------------------|--|
| | 101094 | A H Harris and Son | Modified Stockpile Patching Materials (bag); Pro Grade Commercial Ice Melter (pallet & 50# bag); Black Beauty; Plastic Safety Fence; Turbidity Curtain Modified Stockpile Patching Materials (50 lbs. bag); 656-2 Calcium Chloride |
| | 108992 | Advanced Drainage Systems Inc. | PVC Pipe Products (ADS)/Drainage Products |
| | 102252 | Allied Building Products | Surface Applied Detectable Warning Materials; Embedded Preformed Detectable Warning Materials; Concrete Mix; Type S Pre Blended Mortar Mix (ASTM C270); Super 5000 Concrete Mix; Speedcrete (Red, Green & Blue Line); Geotextile Undercut Separation Fabric; Geotextile Drainage Fabric; Erosion Control Silt Fence; Sediment Filtration Mat; Silt Filtration Bag; Geotextile Slope Protection Permanent; Speedcrete 2028; Bituthene 4000 Membrane; Bitutane WP-3000 Primer; Woven Polyethelene Nylon Sheets |
| | 117638 | Alvito Topsoil | Topsoil – Screened (CY) |
| | 101851 | American Green Landscape | Topsoil – Screened & Unscreened (CY) |
| | 102540 | Barre Stone Products, Inc. | Type MC1 Binder Course, Polymer Modified, Flexible Overlay, Flexible Top, True & Leveling F9, Shim Course F9, Top Course 9.5 mm F2 & 12.5 mm F2, Binder Course (19 mm, 25 mm, 37.5 mm), Modified Stockpile Patching Materials (ton), Reclaimed Asphalt Pavement (Millings 1", 9/16", 3/8", Asphalt Millings Credit; Stone Aggregate (Quarry); Topsoil (Screened/Unscreened), Fill Dirt Material, Select Structural Fill (CY), Mortar Sand, Grout Sand, Concrete Sand, Ice Control Sand-Aggregate A |
| | 115300 | Brongo Contracting & Supply | Topsoil – Screened & Unscreened (CY); Compost Topsoil (CY); Fill dirt material (CY); Material Hauling |
| | 108017 | Chemung Supply Corporation | Green Channel Post; Pre Fabricated Adjustment Rings for Man Holes (Metal) |
| | 117639 | County Line Stone Co. Inc. | Plant Mixed Stockpile Patching Material; Modified Stockpile Patching Materials (Ton); Material Hauling |
| | 108013 | Dolomite Products Company, Inc. | Stone Aggregate (Quarry); Material Hauling; Stone Aggregate (Gravel Pit)- (#1 & #2 Crushed Stone, #1 Washed Crushed Stone, #1A Stone, #1A Washed Stone, #2 Stone, #2 Washed Stone,); Material Hauling; Fill Dirt Material (Ton); Mortar Sand; Ice Control Sand Aggregate A; Material Hauling |
| | 102172 | Eberl Iron Works | Traffic Sign Posts (Square Tubing); Centerline Delineators |
| | 106269 | Elam Sand & Gravel Corporation | Topsoil – Screened & Unscreened (Ton); Fill Dirt Material (ton); Select structural Fill (Ton); Mortar Sand; Grout Sand; Ice Control Sand – Aggregate A & B; Material Hauling |
| | 115301 | Fulmont Ready Mix Inc. | Concrete Mixes Delivered |
| | 115302 | Greentech | Topsoil – Screened & Unscreened (CY); Compost Topsoil; Fill Dirt Material (CY); Select Structural Fill (CY) |

| Contract# | Vendor # | Vendor Name | Awarded |
|------------------|-----------------|---|--|
| | 105307 | Hanson Aggregates New York LLC | Asphalt Concrete Asphalt Courses; Stone Aggregate (Quarry); Material Hauling; Stone Aggregate (Gravel Pit) (#1, #2 Crushed Stone; #1 Washed Crushed Stone; #1A Stone; #1A Washed Stone; Material Hauling; Mortar Sand; Concrete Sand; Material Hauling |
| | 107569 | Innovative Municipal Products (US) Inc. | Organic Based Snow & Ice Products – Magic Minus Zero; Caliber M2000 w/AP; Caliber M1000 w/AP; Meltdown 26% w/AP |
| | 107998 | Iroquois Rock Products | Asphalt Concrete Asphalt Courses; Stone Aggregate (Quarry) |
| | 101590 | JC Smith Inc. | Steel Snow Fence Post; Geotextile Bedding Fabric |
| | 102473 | Keeler Construction Co., Inc. | Material Hauling for Barre Stone |
| | 101768 | Little Falls Lumber | Detectable Warning Paver Brick; Mortar Mix; Portland Cement; Geotextile Slope Protection Temporary |
| | 109911 | Millennium Roads, LLC | Organic Based Snow & Ice Products – Ice Ban 40/60; Ice Ban 25/75; Ice Ban 7/93; Organic Based Snow & Ice Products –Mixed – Ice Ban 40/60; Ice Ban 25/75 |
| | 105512 | Miller Brick Company | Common Sewer Brick; Patio Pavers; Highway Common Brick - Full Height & Half Height |
| | 106119 | Monroe Roadways | Topsoil – Screened & Unscreened (CY) |
| | 105021 | Morrison Excavating Inc. | Topsoil – Screened & Unscreened (CY); Material Hauling |
| | 102774 | Northern Nurseries | Grass Seed General Mix (Highway Blend); Grass Seed Premium Mix (Pure Waters Blend); Grass Seed Quick Grow/ Triple Perennial Ryegrass Mix; Grass Seed Annual Ryegrass; Hydroseed Mulch (Cellulose – Paper); Hydroseed Mulch (Wood & Cellulose Fiber Mixture); Hydroseed Tackifiers |
| | 106859 | R.M. Landscape, Inc. | Topsoil – Screened & Unscreened (CY); Compost Topsoil |
| | 103382 | Rochester Asphalt Materials | Asphalt Concrete Asphalt Courses – Binder Course, Polymer Modified, Flexible Overlay, Flexible Top, True & Leveling F9, Shim Course F9, Top Course 9.5mm, 12.5mm, 19 mm, 25mm, 37.5mm; Modified Stockpile Patching Materials (Ton); Asphalt Milling Credit; Material Hauling; Bituminous Material (Liquid) Tack Coat |
| | 117640 | Shelby Crushed Stone | Modified Stockpile Patching Materials (Ton & 50# bag) |
| | 102589 | The Duke Company | Biaxial Geogrid Reinforcement Material |
| | 108897 | U.S. Standard Sign | Aluminum Sign Blanks |
| | 115304 | Unique Paving Materials Corporation | Modified Stockpile Patching Materials (Ton) |
| | 103822 | Valley Sand & Gravel | Stone Aggregate (Gravel Pit) - #2 Crushed Stone, #1 Washed Crushed Stone, #1A Stone, 3/8" Washed Stone, #1A Washed Stone, #2 Washed Stone, Screened Gravel; Fill Dirt Material (Ton); Select Structural Fill (Ton); Concrete Sand; Ice Control Sand – Aggregate A |

Monroe County Department Of Transportation

2015 Highway Materials Bid Awards (BASE)

Group II

ITEM ASPHALT CONCRETE ASPHALT COURSES

Base Price = \$630 / US Ton

| ITEM # | MATERIAL | Unit | Barre Stone - Albion | Hanson Aggregates - HF | Hanson Aggregates - McKeel Rd | Hanson Aggregates - Stafford | Iroquois Rock - Brockport | Iroquois Rock - Henrietta | Rochester Asphalt Material - Gates | Rochester Asphalt Material - Penfield | Rochester Asphalt Material - Walworth | The Duke Company | Innovative Municipal Products (US) Inc. | County Line Stone | Unique Paving @ Power & Construction or Syracuse | AH Harris | Shelby Crushed Stone | Keeler Construction |
|--------|--|------|----------------------|------------------------|-------------------------------|------------------------------|---------------------------|---------------------------|------------------------------------|---------------------------------------|---------------------------------------|------------------|---|-------------------|--|-----------|----------------------|---------------------|
| | Type MC1 Binder Course / County #1 Binder | Ton | 58.50 | 64.00 | 65.50 | 64.00 | 62.00 | 62.00 | 62.00 | 62.00 | 62.00 | No Bid | No Bid | No Bid | No Bid | No Bid | No Bid | No Bid |
| | 6.3 mm F2 Polymer Modified, (< 0.3 M ESAL's) | Ton | 76.00 | 79.50 | No Bid | 79.50 | 76.00 | 76.00 | 76.00 | 76.00 | 76.00 | No Bid | No Bid | No Bid | No Bid | No Bid | No Bid | No Bid |
| | Flexible Overlay (Smooth Seal) | Ton | 69.00 | 71.25 | 73.25 | 71.25 | 69.00 | 69.00 | 69.00 | 69.00 | 69.00 | No Bid | No Bid | No Bid | No Bid | No Bid | No Bid | No Bid |
| | Flexible Top | Ton | 67.50 | 68.75 | 70.75 | 68.75 | 66.00 | 66.00 | 66.00 | 66.00 | 66.00 | No Bid | No Bid | No Bid | No Bid | No Bid | No Bid | No Bid |
| | True & Leveling F9, Superpave HMA, (< 0.3 M ESAL's) | Ton | 66.00 | 71.25 | 73.00 | 71.25 | 69.00 | 69.00 | 69.00 | 69.00 | 69.00 | No Bid | No Bid | No Bid | No Bid | No Bid | No Bid | No Bid |
| | Shim Course F9, Superpave HMA, (< 0.3 M ESAL's) | Ton | 81.50 | 80.00 | 81.00 | 80.00 | 75.00 | 75.00 | 75.00 | 75.00 | 75.00 | No Bid | No Bid | No Bid | No Bid | No Bid | No Bid | No Bid |
| | Top Course 9.5 mm F2 Superpave HMA, (< 0.3 M ESAL's) | Ton | 70.50 | 71.25 | 73.00 | 71.25 | 69.00 | 69.00 | 69.00 | 69.00 | 69.00 | No Bid | No Bid | No Bid | No Bid | No Bid | No Bid | No Bid |
| | Top Course 12.5 mm F2 Superpave HMA, (< 0.3 M ESAL's) | Ton | 66.75 | 68.50 | 70.75 | 68.50 | 65.00 | 65.00 | 65.00 | 65.00 | 65.00 | No Bid | No Bid | No Bid | No Bid | No Bid | No Bid | No Bid |
| | Binder Course 19 mm F9 Superpave HMA, (< 0.3 M ESAL's) | Ton | 59.00 | 64.25 | 65.25 | 64.25 | 60.00 | 60.00 | 60.00 | 60.00 | 60.00 | No Bid | No Bid | No Bid | No Bid | No Bid | No Bid | No Bid |
| | Binder Course 25 mm F9 Superpave HMA, (< 0.3 M ESAL's) | Ton | 58.50 | 63.00 | 65.00 | 63.00 | 60.00 | 60.00 | 60.00 | 60.00 | 60.00 | No Bid | No Bid | No Bid | No Bid | No Bid | No Bid | No Bid |
| | Base Course 37.5 mm F9 Superpave HMA, (< 0.3 M ESAL's) | Ton | 56.50 | 59.75 | 62.00 | 59.75 | 59.00 | 59.00 | 59.00 | 59.00 | 59.00 | No Bid | No Bid | No Bid | No Bid | No Bid | No Bid | No Bid |

** The conversion factor will be computed separately using the conversion factors for the individual mixture used.

ITEM ASPHALT CONCRETE ASPHALT COURSES

Base Price = \$630 / US Ton

| ITEM # | MATERIAL | Unit | Barre Stone - Albion | Hanson Aggregates - HF | Hanson Aggregates - McKeel Rd | Hanson Aggregates - Stafford | Iroquois Rock - Brockport | Iroquois Rock - Henrietta | Rochester Asphalt Material - Gates | Rochester Asphalt Material - Penfield | Rochester Asphalt Material - Walworth | The Duke Company | Innovative Municipal Products (US) Inc. | County Line Stone | Unique Paving @ Power & Construction or Syracuse | AH Harris | Shelby Crushed Stone | Keeler Construction |
|--------|---|-------------|----------------------|------------------------|-------------------------------|------------------------------|---------------------------|---------------------------|------------------------------------|---------------------------------------|---------------------------------------|------------------------|---|-------------------|--|------------------------|------------------------|---------------------|
| | Plant Mixed Stockpile Patching Material | Ton | No Bid | 97.50 | No Bid | No Bid | No Bid | No Bid | No Bid | No Bid | No Bid | No Bid | 115.99 | 96.50 | No Bid | No Bid | No Bid | No Bid |
| | Modified Stockpile Patching Materials | Ton | 115.00 | 117.50 | No Bid | No Bid | No Bid | No Bid | 114.00 | 114.00 | 114.00 | No Bid | 115.99 | 111.50 | 105.00 | No Bid | 110.00 | No Bid |
| | Modified Stockpile Patching Materials | Pound (Bag) | No Bid | No Bid | No Bid | No Bid | No Bid | No Bid | No Bid | No Bid | No Bid | 9.95 (50lb bag) | 9.99 (50lb bag) | No Bid | No Bid | 11.00 (50# bag) | 14.00 (50# bag) | No Bid |
| | Reclaimed Asphalt Pavement (RAP)/ Millings 1" | Ton | 10.00 | 10.50 | No Bid | 10.50 | No Bid | No Bid | No Bid | No Bid | No Bid | No Bid | No Bid | No Bid | No Bid | No Bid | No Bid | No Bid |
| | Reclaimed Asphalt Pavement (RAP)/ Millings 9/16" | Ton | 11.00 | 10.50 | No Bid | 10.50 | No Bid | No Bid | No Bid | No Bid | No Bid | No Bid | No Bid | No Bid | No Bid | No Bid | No Bid | No Bid |
| | Reclaimed Asphalt Pavement (RAP)/ Millings 3/8" | Ton | 13.00 | No Bid | No Bid | No Bid | No Bid | No Bid | No Bid | No Bid | No Bid | No Bid | No Bid | No Bid | No Bid | No Bid | No Bid | No Bid |
| | Asphalt Millings Credit | Ton | 3.00 | No Bid | No Bid | No Bid | 1.00 | 1.00 | 1.00 | 1.00 | 1.00 | No Bid | No Bid | No Bid | No Bid | No Bid | No Bid | No Bid |
| | Material Hauling (Asphalt Mix Items) 0 to 1 Mile | Ton | No Bid | 3.00 | 3.00 | 3.00 | 4.00 | 4.00 | 4.00 | 4.00 | 4.00 | No Bid | No Bid | 1.00 | No Bid | No Bid | No Bid | 4.00 |
| | Material Hauling (Asphalt Mix Items) >1 Mile | Ton | No Bid | 0.35 | 0.35 | 0.35 | 0.60 | 0.60 | 0.60 | 0.60 | 0.60 | No Bid | No Bid | 0.05 | No Bid | No Bid | No Bid | 0.55 |
| | Bituminous Material (Liquid) Tack Coat | 5 gallon | No Bid | 70.00 | 70.00 | 70.00 | 60.00 | 60.00 | 60.00 | 60.00 | 60.00 | No Bid | No Bid | No Bid | No Bid | No Bid | No Bid | No Bid |

** The conversion factor will be computed separately using the conversion factors for the individual mixture used.

HIGHWAY MATERIALS GROUP II

ITEM STONE AGGREGATE (QUARRY)

| ITEM # | MATERIAL | UNIT | Barre Stone - Albion | Dolomite - Gates | Dolomite - LeRoy | Dolomite - Ogden | Dolomite - Penfield | Dolomite - Walworth | Hanson Aggregates - Clarendon | Hanson Aggregates - Butler | Hanson Aggregates - HF | Hanson Aggregates - McKeel Rd | Hanson Aggregates - Sctsv. Rd | Hanson Aggregates - Stafford | Iroquois Rock - Brockport | Keeler |
|--------|--------------------------|------|----------------------|------------------|------------------|------------------|---------------------|---------------------|-------------------------------|----------------------------|------------------------|-------------------------------|-------------------------------|------------------------------|---------------------------|--------|
| | 5/8" Crushed Stone | Ton | 11.05 | No Bid | No Bid | No Bid | No Bid | No Bid | No Bid | No Bid | No Bid | No Bid | No Bid | No Bid | No Bid | No Bid |
| | 5/8" Crusher Run | Ton | 8.20 | 15.00 | 7.75 | No Bid | 9.50 | 8.50 | 11.00 | 11.00 | 11.00 | 15.00 | 15.00 | 11.00 | 8.25 | No Bid |
| | #1 Crushed Stone | Ton | 11.05 | 17.00 | 11.50 | No Bid | 13.50 | 12.00 | 12.00 | 12.00 | 12.00 | No Bid | No Bid | 12.00 | 12.00 | No Bid |
| | #1 Crusher Run | Ton | 7.95 | 14.50 | 7.25 | 9.00 | 9.00 | 8.00 | 8.75 | 9.50 | 8.75 | 15.00 | 15.00 | 8.75 | 7.75 | No Bid |
| | #2 Crushed Stone | Ton | 10.55 | 17.00 | 11.50 | No Bid | 13.50 | 12.00 | 12.00 | 12.00 | 12.00 | No Bid | No Bid | 12.00 | 12.00 | No Bid |
| | #2 Crusher Run | Ton | 7.90 | 14.00 | 6.75 | 8.50 | 8.50 | 7.50 | 8.60 | 9.35 | 8.60 | 15.00 | 15.00 | 8.60 | 7.25 | No Bid |
| | #3 Crusher Run | Ton | 7.65 | No Bid | 6.75 | No Bid | 8.50 | 7.50 | No Bid | No Bid | 8.60 | No Bid | No Bid | 8.60 | 7.25 | No Bid |
| | Crushed Stone Screenings | Ton | 10.90 | No Bid | 12.00 | No Bid | 14.00 | 12.00 | No Bid | No Bid | 12.75 | No Bid | No Bid | 12.75 | 12.00 | No Bid |
| | #1 Washed Crushed Stone | Ton | 11.05 | 17.50 | 12.00 | 14.00 | 14.00 | 12.50 | 12.00 | 12.00 | 12.00 | No Bid | No Bid | 12.00 | 12.50 | No Bid |
| | #1A Stone | Ton | 12.05 | 17.50 | 11.75 | No Bid | 13.50 | 12.00 | 14.00 | 14.00 | 14.00 | No Bid | No Bid | 14.00 | 12.00 | No Bid |
| | 3/8" Washed Stone | Ton | 11.05 | No Bid | 12.00 | No Bid | No Bid | 12.75 | No Bid | 14.00 | 14.00 | No Bid | No Bid | 14.00 | No Bid | No Bid |
| | #1A Washed Stone | Ton | 12.05 | No Bid | 12.75 | 14.00 | 14.00 | 13.00 | 14.00 | 14.00 | 14.00 | No Bid | No Bid | 14.00 | 13.00 | No Bid |
| | #1B Stone | Ton | 11.05 | No Bid | 11.75 | No Bid | 14.00 | 12.00 | 14.00 | 14.00 | 14.00 | No Bid | No Bid | 14.00 | 12.00 | No Bid |
| | #1B Washed Stone | Ton | 11.05 | No Bid | 12.25 | No Bid | No Bid | 13.00 | 14.00 | 14.00 | 14.00 | No Bid | No Bid | 14.00 | No Bid | No Bid |
| | #1 ST Washed Stone | Ton | 11.40 | No Bid | 12.00 | No Bid | No Bid | No Bid | No Bid | 12.00 | 12.00 | No Bid | No Bid | 12.00 | No Bid | No Bid |
| | #2 Stone | Ton | 10.55 | 17.00 | 11.50 | No Bid | 13.50 | 12.00 | 12.00 | 12.00 | 12.00 | No Bid | No Bid | 12.00 | 12.00 | No Bid |
| | #2 Washed Stone | Ton | 10.55 | 17.50 | No Bid | 14.00 | 14.00 | 12.50 | 12.00 | 12.00 | 12.00 | No Bid | No Bid | 12.00 | 12.50 | No Bid |
| | #3 Stone | Ton | 10.80 | 17.00 | 11.50 | No Bid | 13.50 | 12.00 | No Bid | No Bid | 12.00 | No Bid | No Bid | 12.00 | 12.00 | No Bid |
| | #4 Stone | Ton | 10.80 | No Bid | No Bid | No Bid | 13.50 | 12.00 | No Bid | No Bid | No Bid | No Bid | No Bid | No Bid | No Bid | No Bid |

* Delivery to be done by Keeler Construction. Need Keeler PO.

HIGHWAY MATERIALS GROUP II

ITEM STONE AGGREGATE (QUARRY)

| ITEM # | MATERIAL | UNIT | Barre Stone - Albion | Dolomite - Gates | Dolomite - LeRoy | Dolomite - Ogden | Dolomite - Penfield | Dolomite - Walworth | Hanson Aggregates - Clarendon | Hanson Aggregates - Butler | Hanson Aggregates - HF | Hanson Aggregates - McKeel Rd | Hanson Aggregates - Sctsv. Rd | Hanson Aggregates - Stafford | Iroquois Rock - Brockport | Keeler |
|--------|---|-------------------|----------------------|------------------|------------------|------------------|---------------------|---------------------|-------------------------------|----------------------------|------------------------|-------------------------------|-------------------------------|------------------------------|---------------------------|--------------|
| | #4A Stone | Ton | 10.80 | No Bid | 11.50 | No Bid | 13.50 | 12.00 | No Bid | No Bid | No Bid | No Bid | No Bid | No Bid | No Bid | No Bid |
| | #5 Stone | Ton | 10.80 | No Bid | No Bid | No Bid | No Bid | No Bid | No Bid | No Bid | No Bid | No Bid | No Bid | No Bid | No Bid | No Bid |
| | Recycled Concrete | Ton | 9.70 | 6.25 | No Bid | No Bid | 6.50 | No Bid | No Bid | No Bid | No Bid | No Bid | 7.00 | No Bid | No Bid | No Bid |
| | Stone Filling (Fine) | Ton | 11.75 | No Bid | No Bid | No Bid | 15.50 | 14.50 | No Bid | 12.00 | 13.00 | No Bid | No Bid | 13.00 | No Bid | No Bid |
| | Stone Filling (Light) | Ton | 11.75 | No Bid | 12.00 | No Bid | 15.50 | 14.50 | No Bid | 12.00 | 13.00 | No Bid | No Bid | 13.00 | 13.00 | No Bid |
| | Stone Filling (Medium) | Ton | 13.75 | No Bid | 15.00 | 16.00 | 16.50 | 15.50 | 16.00 | No Bid | 16.00 | No Bid | No Bid | 16.00 | 15.00 | No Bid |
| | Stone Filling (Heavy) | Ton | 15.75 | No Bid | 17.00 | 17.50 | 17.50 | 16.50 | No Bid | No Bid | 17.00 | No Bid | No Bid | 17.00 | 18.00 | No Bid |
| | Rip Rap | Ton | 30.00 | No Bid | 14.00 | 14.00 | 14.50 | 13.50 | No Bid | No Bid | 18.00 | No Bid | No Bid | 18.00 | 14.00 | No Bid |
| | Plant Mixing of Aggregates | Ton | No Bid | No Bid | No Bid | No Bid | No Bid | No Bid | No Bid | No Bid | No Bid | No Bid | No Bid | No Bid | No Bid | No Bid |
| | Material Hauling (Aggregate Items) 0 to 1 Mile | Ton | No Bid | 3.00 | 3.00 | 3.00 | 3.00 | 3.00 | 3.00 | 3.00 | 3.00 | No Bid | No Bid | 3.00 | 3.00 | 3.00 |
| | Material Hauling (Aggregate Items) > 1 Mile | Ton | No Bid | 0.35 | 0.35 | 0.35 | 0.35 | 0.35 | 0.35 | 0.35 | 0.35 | No Bid | No Bid | 0.35 | 0.35 | 0.40 |
| | Material hauling & loading for Stone Filling (Heavy) ONLY (Additional Charge) | Fixed Price / Ton | 12.00 | N/A | 12.00 | 12.00 | 12.00 | 12.00 | N/A | N/A | 12.00 | N/A | N/A | 12.00 | 12.00 | 12.00 |

* Delivery to be done by Keeler Construction. Need Keeler PO.

HIGHWAY MATERIALS GROUP II

ITEM STONE AGGREGATE (GRAVEL PIT)

| ITEM # | MATERIAL | UNIT | Dolomite - Gates | Dolomite - Penfield | Dolomite - Palmyra | Hanson - Victor | Valley Scottsville |
|--------|---|------|------------------|---------------------|--------------------|-----------------|--------------------|
| | 5/8" Crushed Stone | TON | No Bid | No Bid | No Bid | No Bid | No Bid |
| | #1 Crushed Stone | TON | No Bid | No Bid | 12.00 | 12.00 | No Bid |
| | #1 Crusher Run | TON | No Bid | No Bid | No Bid | No Bid | No Bid |
| | #2 Crushed Stone | TON | No Bid | No Bid | 12.00 | 12.00 | 12.25 |
| | #2 Crusher Run | TON | No Bid | No Bid | No Bid | No Bid | No Bid |
| | Crushed Stone Screenings | TON | No Bid | No Bid | No Bid | No Bid | No Bid |
| | #1 Washed Crushed Stone | TON | No Bid | No Bid | 12.50 | 12.00 | 11.00 |
| | #1A Stone | TON | No Bid | No Bid | 12.50 | 14.00 | 12.00 |
| | 3/8" Washed Stone | TON | No Bid | No Bid | No Bid | No Bid | 12.00 |
| | #1A Washed Stone | TON | No Bid | No Bid | 12.50 | 14.00 | 12.00 |
| | #1B Stone | TON | No Bid | No Bid | No Bid | No Bid | No Bid |
| | #1B Washed Stone | TON | No Bid | No Bid | No Bid | No Bid | No Bid |
| | #1 ST Washed Stone | TON | No Bid | No Bid | No Bid | No Bid | No Bid |
| | #2 Stone | TON | 15.00 | 14.50 | 12.00 | No Bid | No Bid |
| | #2 Washed Stone | TON | No Bid | No Bid | 12.50 | No Bid | 11.50 |
| | Screened Gravel | TON | No Bid | No Bid | No Bid | No Bid | 6.75 |
| | Recycled Concrete | TON | No Bid | No Bid | No Bid | No Bid | No Bid |
| | Stone Filling (Fine) | TON | No Bid | No Bid | No Bid | No Bid | No Bid |
| | Stone Filling (Light) | TON | No Bid | No Bid | No Bid | No Bid | No Bid |
| | Material Hauling (Aggregate Items) 0 to 1 Mile | TON | 3.00 | 3.00 | 3.00 | 3.00 | No Bid |
| | Material Hauling (Aggregate Items) > 1 Mile | TON | 0.35 | 0.35 | 0.35 | 0.35 | No Bid |

** \$/CY

HIGHWAY MATERIALS GROUP II

ITEM CONCRETE MIXES DELIVERED

| ITEM # | MATERIAL | UNIT | Fulmont Ready Mix |
|---|-----------------------------------|------|-------------------|
| | Concrete for Structures Class A | CY | 99.00 |
| | Concrete for Structures Class D | CY | 101.00 |
| | Concrete Grouting Material | CY | 131.00 |
| | Controlled Low Strength Material | CY | 71.00 |
| | Flowable Fill (Pure Waters Blend) | CY | 73.00 |
| ADDITIONAL ITEMS TO BE ADDED TO THE ABOVE BID PRICES (Fixed Price) | | | |
| | Heat | CY | \$10/CY |
| | Small Load Charge | LOAD | \$65/LOAD |
| | Retarder | CY | \$4/CY |
| | High Early | Min. | \$8/CY |
| | DCI | CY | \$10/CY |
| | Excess waiting time | Min. | \$1/Min. |

HIGHWAY MATERIALS GROUP II

ITEM TOP SOIL, FILL DIRT, SELECT FILL AND VARIOUS SANDS

| ITEM # | MATERIAL | UNIT | Aivito Topsoil | American Green Landscape | Barre Stone Products | Brongo Contracting & Supply | Dolomite Gates | Dolomite Mendon | Dolomite Ogden | Dolomite Palmyra | Dolomite Penfield | Elam Sand & Gravel West Bloomfield | Greentech | Hanson Aggregates - Victor | Monroe Roadways | Morrison Excavating | R. M. Landscape | Valley Sand & Gravel |
|--------|--|------|----------------|--------------------------|----------------------|-----------------------------|----------------|-----------------|----------------|------------------|-------------------|------------------------------------|-----------|----------------------------|-----------------|---------------------|-----------------|----------------------|
| | Topsoil - Screened | Ton | No Bid | No Bid | 11.80 | No Bid | No Bid | No Bid | No Bid | No Bid | No Bid | 15.00 | No Bid | No Bid | No Bid | No Bid | No Bid | No Bid |
| | Topsoil - Screened | CY | 17.00 | 17.00 | No Bid | 16.50 | No Bid | No Bid | No Bid | No Bid | No Bid | No Bid | 20.00 | No Bid | 17.50 | 17.50 | 20.00 | 25.00* |
| | Topsoil - Unscreened | Ton | No Bid | No Bid | 10.50 | No Bid | No Bid | No Bid | No Bid | No Bid | No Bid | 11.50 | No Bid | No Bid | No Bid | No Bid | No Bid | No Bid |
| | Topsoil - Unscreened | CY | No Bid | 10.00 | No Bid | 13.00 | No Bid | No Bid | No Bid | No Bid | No Bid | No Bid | 12.00 | No Bid | 12.50 | 13.00 | 12.00 | No Bid |
| | Compost Topsoil | CY | No Bid | No Bid | No Bid | 25.00 | No Bid | No Bid | No Bid | No Bid | No Bid | No Bid | 30.00 | No Bid | No Bid | No Bid | No Bid | 36.00 |
| | Fill Dirt Material | Ton | No Bid | No Bid | 4.50 | No Bid | No Bid | No Bid | 5.00 | No Bid | No Bid | 4.75 | No Bid | No Bid | No Bid | No Bid | No Bid | 4.50 |
| | Fill Dirt Material | CY | No Bid | No Bid | No Bid | 8.00 | No Bid | No Bid | No Bid | No Bid | No Bid | No Bid | 5.00 | No Bid | No Bid | No Bid | No Bid | No Bid |
| | Select Structural Fill | Ton | No Bid | No Bid | 7.90 | No Bid | No Bid | No Bid | No Bid | No Bid | No Bid | 7.75 | No Bid | No Bid | No Bid | No Bid | No Bid | 6.75 |
| | Select Structural Fill | CY | No Bid | No Bid | No Bid | No Bid | No Bid | No Bid | No Bid | No Bid | No Bid | No Bid | 15.00 | No Bid | No Bid | No Bid | No Bid | No Bid |
| | Mortar Sand | Ton | No Bid | No Bid | 13.00 | No Bid | 10.00 | 6.00 | 10.00 | 6.00 | 10.00 | 10.00 | No Bid | 16.50 | No Bid | No Bid | No Bid | No Bid |
| | Grout Sand | Ton | No Bid | No Bid | 13.00 | No Bid | No Bid | No Bid | No Bid | No Bid | No Bid | 10.00 | No Bid | No Bid | No Bid | No Bid | No Bid | No Bid |
| | Concrete Sand | Ton | No Bid | No Bid | 13.00 | No Bid | No Bid | No Bid | No Bid | No Bid | No Bid | No Bid | No Bid | 12.50 | No Bid | No Bid | No Bid | 12.50 |
| | Ice Control Sand - Aggregate A | Ton | No Bid | No Bid | 12.00 | No Bid | No Bid | 5.50 | No Bid | 5.00 | No Bid | 6.50 | No Bid | No Bid | No Bid | No Bid | No Bid | 10.00 |
| | Ice Control Sand - Aggregate B | Ton | No Bid | No Bid | No Bid | No Bid | No Bid | 5.50 | No Bid | 5.00 | No Bid | 6.50 | No Bid | No Bid | No Bid | No Bid | No Bid | No Bid |
| | Material Hauling (Aggregate Items) 0 to 1 Mile | Ton | No Bid | No Bid | No Bid | 4.00 | No Bid | 3.00 | 3.00 | 3.00 | No Bid | 5.75 | No Bid | 3.00 | No Bid | 6.75 | No Bid | No Bid |
| | Material Hauling (Aggregate Items) >1 Mile | Ton | No Bid | No Bid | No Bid | 0.60 | No Bid | 0.35 | 0.35 | 0.35 | No Bid | 0.75 | No Bid | 0.35 | No Bid | 0.45 | No Bid | No Bid |
| | Material Hauling (Aggregate Items) 0 to 1 Mile | CY | No Bid | No Bid | No Bid | 6.00 | No Bid | No Bid | No Bid | No Bid | No Bid | No Bid | No Bid | No Bid | No Bid | 6.75 | No Bid | No Bid |
| | Material Hauling (Aggregate Items) >1 Mile | CY | No Bid | No Bid | No Bid | 6.00 | No Bid | No Bid | No Bid | No Bid | No Bid | No Bid | No Bid | No Bid | No Bid | No Bid | No Bid | No Bid |

1 =20 Ton Minimum Load
 2 =15 CY Minimum Load
 ** Dry (Stored Inside)

*** Keeler Construction delivery for Barre Stone Products. Need Keeler PO#.

HIGHWAY MATERIALS GROUP II

ITEM VARIOUS CONSTRUCTION ITEMS

| ITEM # | MATERIAL | UNIT | UNIT PRICE | VENDOR |
|---|---|-----------|---------------|--------------------------|
| | Common Sewer Brick | Ea. | 0.410 | Miller Brick Co. |
| | Patio Pavers | Ea. | 0.410 | Miller Brick Co. |
| | Highway Common Brick FULL HEIGHT | Ea. | 0.410 | Miller Brick Co. |
| | Highway Common Brick HALF HEIGHT | Ea. | 0.550 | Miller Brick Co. |
| | Surface Applied Detectable Warning Materials | SF | 12.50 | Allied Building Products |
| | Embedded Preformed Detectable Warning Materials | SF | 12.50 | Allied Building Products |
| | Detectable Warning Paver Brick | SF | 9.00 | Little Falls Lumber |
| <u>GRASS SEED & TURF ICE MELTER</u> | | | | |
| | Grass Seed General Mix (Highway Blend) | 50 # Bag | 81.00 | Northern Nurseries |
| | Grass Seed Premium Mix (Pure Waters Blend) | 50 # Bag | 86.00 | Northern Nurseries |
| | Grass Seed Quick Grow / Triple Perennial Ryegrass Mix | 50 # Bag | 74.00 | Northern Nurseries |
| | Grass Seed Annual Ryegrass | 50 # Bag | 32.00 | Northern Nurseries |
| | Hydroseed Mulch (Cellulose - Paper) | Lb. | 0.27 | Northern Nurseries |
| | Hydroseed Mulch (Wood and Cellulose Fiber Mixture) | Lb. | 21.00 | Northern Nurseries |
| | Hydroseed Tackifiers | Lb. | 5.05 | Northern Nurseries |
| | Turflite Ice Melter (42 bags / pallet) ALTERNATE PRODUCT Pro Grade Commercial | Pallet | 387.10 | AH Harris |
| | Turflite Ice Melter ALTERNATE PRODUCT Pro Grade Commercial | 50 # Bag | 7.90 | AH Harris |
| <u>MORTAR / CONCRETE MIXES / BLACK BEAUTY</u> | | | | |
| | Mortar Mix | 80 # Bag | 4.50 | Little Falls Lumber |
| | Concrete Mix | 80 # Bag | 4.29 | Allied Building Products |
| | Portland Cement | 94 # Bag | 10.50 | Little Falls Lumber |
| | Type S Pre Blended Mortar Mix (ASTM C270) | 80 # Bag | 4.55 | Allied Building Products |
| | Super 5000 Concrete Mix | 80 # Bag | 4.43 | Allied Building Products |
| | Speedcrete RED LINE | 50 # Bag | 21.00 | Allied Building Products |
| | Speedcrete GREEN LINE | 50 # Bag | 24.00 | Allied Building Products |
| | Speedcrete BLUE LINE | 50 # Bag | 24.00 | Allied Building Products |
| | Black Beauty | 100 # Bag | 10.51 | AH Harris |
| | Calcium Chloride (712-02) | 50 # bag | 12.40 | AH Harris |

ITEM VARIOUS CONSTRUCTION ITEMS

| ITEM # | MATERIAL | UNIT | UNIT PRICE | VENDOR |
|---|---|----------|---------------|---------------------------------|
| <u>BRIDGE MAINTENANCE ITEMS</u> | | | | |
| | Speedcrete 2028 | 50 # Bag | 21.00 | Allied Building Products |
| | BITUTHENE 4000 Membrane (3'x66.67' Roll) | SF | 1.10 | Allied Building Products |
| | BITUTANE WP-3000 Primer (5 Gal Pail) | Gal. | 71.30 | Allied Building Products |
| | Woven Polyethelene Nylon Sheets (20' X 100') | Roll | 72.00 | Allied Building Products |
| <u>PVC PIPE PRODUCTS (ADS) /DRAINAGE PRODUCTS</u> | | | | |
| | 12" PVC Drain Basin | Each | 330.00 | ADS |
| | 12" Cast Iron Frame and Hinged Grate | Each | 178.00 | ADS |
| | 12" PVC Drain Basin & Cast Iron Frame & Hinged Gate | Each | 451.00 | ADS |
| | Saddle Tee 4x12 | Each | 43.17 | ADS |
| | Saddle Tee 4x15 | Each | 45.86 | ADS |
| | Saddle Tee 4x18 | Each | 75.00 | ADS |
| | Saddle Tee 4x24 | Each | 76.77 | ADS |
| | Saddle Tee 4x30 | Each | 113.35 | ADS |
| | Saddle Tee 4x36 | Each | 140.93 | ADS |
| | Saddle Tee 6x12 | Each | 44.93 | ADS |
| | Saddle Tee 6x15 | Each | 59.75 | ADS |
| | Saddle Tee 6x18 | Each | 84.12 | ADS |
| | Saddle Tee 6x24 | Each | 91.43 | ADS |
| | Saddle Tee 6x30 | Each | 119.60 | ADS |
| | Saddle Tee 6x36 | Each | 150.59 | ADS |
| | Clay Adapter 3" | Each | 1.83 | ADS |
| | Clay Adapter 4" | Each | 1.83 | ADS |
| | Clay Adapter 6" | Each | 4.90 | ADS |
| | Snap T's 4x4 | Each | 4.38 | ADS |
| | Snap T's 6x6 | Each | 9.75 | ADS |
| | Snap T's 6x4 | Each | 7.89 | ADS |
| | Pre Fabricated Adjustment Rings for Man Holes (Metal) | Each | 225.00 | Chemung Supply Corp. |
| | Pre Fabricated Adjustment Rings for Man Holes (Plastic) | Each | No Bid | Chemung Supply Corp. |

ALUMINUM SIGN BLANKS

| <u>SIGN BLANK</u> | <u>THICKNESS</u> Inches | UNIT | UNIT PRICE | VENDOR |
|---|----------------------------|------|------------|-------------|
| Aluminum Sign Blank – 12” X 18” (2 holes) | 0.063 | Each | \$2.9000 | US Standard |
| Aluminum Sign Blank – 8” X 24” (0 holes) | 0.063 | Each | \$2.4400 | US Standard |
| Aluminum Sign Blank – 8” X 24” (4 holes) | 0.063 | Each | \$2.9000 | US Standard |
| Aluminum Sign Blank - 8” X 30” (0 holes) | 0.063 | Each | \$3.0200 | US Standard |
| Aluminum Sign Blank - 8” X 30” (2 holes) | 0.063 | Each | \$3.2500 | US Standard |
| Aluminum Sign Blank - 8” X 30” (4 holes) | 0.063 | Each | \$3.4800 | US Standard |
| Aluminum Sign Blank – 30” Octagon (2 holes) | 0.080 | Each | \$14.0400 | US Standard |
| Aluminum Sign Blank – 36” Octagon (2 holes) | 0.080 | Each | \$20.0700 | US Standard |
| Aluminum Sign Blank - 12” X 24” (2 holes) | 0.080 | Each | \$4.2900 | US Standard |
| Aluminum Sign Blank – 12” x 30” (2 holes) | 0.080 | Each | \$5.3400 | US Standard |
| Aluminum Sign Blank – 18” X 18” (4 holes) | 0.080 | Each | \$4.9900 | US Standard |

| <u>SIGN BLANK</u> | <u>THICKNESS</u> Inches | UNIT | UNIT PRICE | VENDOR |
|---|-----------------------------------|-------------|-------------------|---------------|
| Aluminum Sign Blank – 24" X 24" (4 holes) | 0.080 | Each | \$8.5800 | US Standard |
| Aluminum Sign Blank – 24" X 30" (2 holes) | 0.080 | Each | \$10.4400 | US Standard |
| Aluminum Sign Blank – 24" X 36" (2 holes) | 0.080 | Each | \$12.4100 | US Standard |
| Aluminum Sign Blank – 30" X 36" (4 holes) | 0.080 | Each | \$15.6600 | US Standard |
| Aluminum Sign Blank – 30" X 30" (4 holes) | 0.080 | Each | \$13.1100 | US Standard |
| Aluminum Sign Blank – 36" X 36" (4 holes) | 0.080 | Each | \$18.7900 | US Standard |
| Aluminum Sign Blank – 12" X 36" (4 holes) | 0.080 | Each | \$6.5000 | US Standard |
| Aluminum Sign Blank – 18" X 36" (4 holes) | 0.080 | Each | \$10.2100 | US Standard |
| Aluminum Sign Blank – 12" X 36" (0 holes) | 0.080 | Each | \$6.1500 | US Standard |
| Aluminum Sign Blank – 12" X 42" (0 holes) | 0.080 | Each | \$13.2200 | US Standard |
| Aluminum Sign Blank – 12" X 48" (0 holes) | 0.080 | Each | \$8.1200 | US Standard |
| Aluminum Sign Blank – 12" X 54" (0 holes) | 0.080 | Each | \$9.1600 | US Standard |

| <u>SIGN BLANK</u> | <u>THICKNESS</u> Inches | UNIT | UNIT PRICE | VENDOR |
|---|-----------------------------------|-------------|-------------------|---------------|
| Aluminum Sign Blank – 12” X 60” (0 holes) | 0.080 | Each | \$10.0900 | US Standard |
| Aluminum Sign Blank – 12” X 72” (0 holes) | 0.080 | Each | \$12.1800 | US Standard |
| Aluminum Sign Blank – 24” X 48” (6 holes) | 0.080 | Each | \$16.9400 | US Standard |

ITEM ORGANIC BASED SNOW AND ICE PRODUCTS

OPTION A - Product Furnished and Delivered

| PRODUCT NAME | PRODUCT COLOR | % BLEND of Product (w/ Chloride Liquid) | CHLORIDE LIQUID TYPE | UNIT | UNIT PRICE | VENDOR |
|---------------------|----------------------|--|-----------------------------|-------------|-------------------|---|
| Magic Minus Zero | Brown | 80% Chloride 20% Molasses | Magnesium | Gallon | \$1.27 | Innovative Municipal Products (US) Inc. |
| Caliber M2000 w/AP | Blue | 80% Chloride 20% Corn Syrup | Magnesium | Gallon | \$1.30 | Innovative Municipal Products (US) Inc. |
| Caliber M1000 w/AP | Blue | 90% Chloride 10% Corn Syrup | Magnesium | Gallon | \$1.04 | Innovative Municipal Products (US) Inc. |
| Meltdown 26% w/ AP | Clear | 26% Chloride | Magnesium | Gallon | \$0.79 | Innovative Municipal Products (US) Inc. |
| Ice Ban 40/60 | Black | 40% | Calcium | Gallon | \$0.90 | Millennium Roads, LLC |
| Ice Ban 25/75 | Black | 25% | Calcium | Gallon | \$0.90 | Millennium Roads, LLC |
| Ice Ban 7/93 | Black | 7% | Calcium | Gallon | \$0.90 | Millennium Roads, LLC |

ITEM ORGANIC BASED SNOW AND ICE PRODUCTS - MIXED

OPTION B - Product Furnished, Delivered and Mixed

| PRODUCT NAME | PRODUCT COLOR | % BLEND of Product (w/ Chloride Liquid) | CHLORIDE LIQUID TYPE | UNIT | UNIT PRICE | VENDOR |
|---------------------|----------------------|--|-----------------------------|-------------|-------------------|-----------------------|
| Ice Ban 40/60 | Black | 40 | Calcium | Gallon | \$1.05 | Millennium Roads, LLC |
| Ice Ban 25/75 | Black | 25% | Calcium | Gallon | \$1.05 | Millennium Roads, LLC |

Asphalt Price Adjustment

July 2015 Index

| Month | Index \$/US Ton |
|------------|-------------------|
| Sept. 2014 | 630 Base Index |
| Jan. | N/A |
| Feb | N/A |
| Mar | 572.00 |
| Apr | 561.00 |
| May | 569.00 |
| Jun | 559.00 |
| Jul | 535.00 |
| Aug | |
| Sep | |
| Oct | |
| Nov | |
| Dec | |

ITEM ASPHALT CONCRETE ASPHALT COURSES

July 2015 Index Price = \$535 US Ton

| MATERIAL | Unit | Barre Stone - Albion | Hanson Agreegates - HF | Hanson - McKee Rd | Hanson Agreegates - Stafford | Iroquois Rock - Brockport | Iroquois Rock - Henrietta | Rochester Asphalt Material - Gates | Rochester Asphalt Material - Penfield | Rochester Asphalt Material - Walworth |
|---|-------------|-----------------------------|-------------------------------|--------------------------|-------------------------------------|----------------------------------|----------------------------------|---|--|--|
| Type MC1 Binder Course / County #1 Binder | TON | 52.09 | 57.59 | 59.09 | 57.59 | 55.59 | 55.59 | 55.59 | 55.59 | 55.59 |
| 6.3 mm F2 Polymer Modified, (< 0.3 M ESAL's) | TON | 68.69 | 72.19 | No Bid | 72.19 | 68.69 | 68.69 | 68.69 | 68.69 | 68.69 |
| Flexible Overlay (Smooth Seal) | TON | 61.40 | 63.65 | 65.65 | 63.65 | 61.40 | 61.40 | 61.40 | 61.40 | 61.40 |
| Flexible Top | TON | 60.66 | 61.91 | 63.91 | 61.91 | 59.16 | 59.16 | 59.16 | 59.16 | 59.16 |
| **True & Leveling F9, Superpave HMA, (< 0.3 M ESAL's) | TON | #VALUE! | #VALUE! | #VALUE! | #VALUE! | #VALUE! | #VALUE! | #VALUE! | #VALUE! | #VALUE! |
| Shim Course F9, Superpave HMA, (< 0.3 M ESAL's) | TON | 72.71 | 71.21 | 72.21 | 71.21 | 66.21 | 66.21 | 66.21 | 66.21 | 66.21 |
| Top Course 9.5 mm F2 Superpave HMA, (< 0.3 M ESAL's) | TON | 63.66 | 64.41 | 66.16 | 64.41 | 62.16 | 62.16 | 62.16 | 62.16 | 62.16 |
| Top Course 12.5 mm F2 Superpave HMA, (< 0.3 M ESAL's) | TON | 60.58 | 62.33 | 64.58 | 62.33 | 58.83 | 58.83 | 58.83 | 58.83 | 58.83 |
| Binder Course 19 mm F9 Superpave HMA, (< 0.3 M ESAL's) | TON | 53.40 | 58.65 | 59.65 | 58.65 | 54.40 | 54.40 | 54.40 | 54.40 | 54.40 |
| Binder Course 25 mm F9 Superpave HMA, (< 0.3 M ESAL's) | TON | 53.28 | 57.78 | 59.78 | 57.78 | 54.78 | 54.78 | 54.78 | 54.78 | 54.78 |
| Base Course 37.5 mm F9 Superpave HMA, (< 0.3 M ESAL's) | TON | 51.75 | 55.00 | 57.25 | 55.00 | 54.25 | 54.25 | 54.25 | 54.25 | 54.25 |

** The conversion factor will be computed separately using the conversion factors for the individual mixture used.

TERMS AND CONDITIONS

BID ITEM: **2015 HIGHWAY MATERIALS GROUP II**

FOR: **Department of Transportation**

PURCHASING CONTACT: The Buyer, identified below, is the sole point of contact regarding this Bid from the date of issuance until the bids are opened and the results made public.

Sharon Berndt
Monroe County Division of Purchasing
200 County Office Building
39 West Main Street
Rochester, NY 14614
Email: sberndt@monroecounty.gov

All requests for bid clarification must be submitted in writing to the Buyer referenced above and received no later than close of business (5:00 PM Eastern Standard Time) on **Friday, December 19, 2014**.

All questions will be answered and documented in writing as an Addendum to the Bid. These will be sent out to all Bidders who received the original Bid no later than **Friday, December 26, 2015**.

DUPLICATE COPIES: **PLEASE SUBMIT YOUR BID IN DUPLICATE; THE ORIGINAL AND ONE (1) COPY.**

BID INFORMATION: At the time of bid, the bidder shall supply detailed specifications covering the item(s) contained herein and shall clearly indicate any areas in which item or items offered do not fully comply with the specifications contained herein.

SUBMITTAL OF FORMAL PROPOSAL: Bid proposal must be legible and submitted in the original form, bearing an original signature. **EMAILS AND FACSIMILES ARE NOT ACCEPTABLE.**

All bidders must submit proof that they have obtained the required **Workers' Compensation** and **disability benefits** coverage or proof that they are exempt if awarded the contract.

SPECIFICATION ALTERATIONS: Specifications will be construed to be complete and be considered the entire description of the goods or services upon which Monroe County is now seeking bids. **Only formal written addenda can materially alter this set of specifications.** No verbal statement made by a Monroe County employee or anyone else is binding nor shall such statement be considered an official part of this public bid proposal.

QUANTITIES:

The quantities listed are the estimated annual requirements and should not be construed to represent either maximum or minimum quantities to be ordered during the contract term.

BRAND REFERENCE:

References to a manufacturer's product by brand name or number are done solely to establish the minimum quality and performance characteristics required. Bidders may submit bids on alternates, but must attach two (2) copies of manufacturer specifications for any alternate at the time of the bid. Further, the bidder must demonstrate that the alternate proposed has a sufficient operating track record to show the equipment will perform per the specified brand. The acceptance of a bidder's alternate rests solely with Monroe County.

QUALIFIED BIDDER:

Each bidder must be prepared to present satisfactory proof of his capacity and ability to perform this contract. Such proof may include, but is not limited to, an inspection of the bidder's facilities and equipment, financial statements, references and performance of similar contracts. **The Purchasing Manager reserves the right to reject any bid where the bidder cannot satisfy the County as to their ability to perform. Monroe County reserves the right to reject any and all bids** if the Monroe County Purchasing Manager deems said action to be in the best interests of Monroe County.

METHOD OF AWARD:

Monroe County intends to award one or more contract(s) to the lowest responsive and responsible bidder(s). The County reserves the right to award the bid as a **whole or by item or line, whichever method is in the best interest of the County. Separate awards will be considered only when the price offered is great enough to offset the additional costs inherent to multiple contracts.** Bidders are not required to bid on every item included in the bid. **The County reserves the right to reject any and all bids** if the Purchasing Manager deems said action to be in the best interest of the County.

CONTRACT TERM:

Contract will start with the date of the contract award and run through **February 29, 2016**, with the option to renew the contract up to four (4) additional twelve (12) month periods with the mutual consent of both parties.

PRICE CHANGES:

Price changes may be proposed by either party no later than forty-five (45) days prior to contract extension, based upon manufacturer price changes which must be supported with documentation. Should price changes not be acceptable to both parties, the contract will not be extended. Prices may change only at the time of extension.

MINIMUM ORDER:

No minimum order is specified for this contract. Agencies must be able to order as needed. **Political subdivisions and others authorized by law may participate in this contract.**

DELIVERY:

All deliveries to be F.O.B. Monroe County to agency as specified by a Purchase Order. Delivery costs must be built into the unit prices bid. Deliveries must be made within **two (2) weeks** after receipt of purchase order number. The County reserves the right to terminate the contract in the event the specified delivery time is not met.

OVER-THE-COUNTER SERVICE:

Bidders should check the Technical Spec sheet for all materials. Those items that can be delivered or available for pickup at supplier's yard within a designated time period must have a pick up location within Monroe County.

If they do not, **their price submitted must be inclusive of delivery to Monroe County, 145 Paul Road, Rochester, NY 14624 or any location given to them by the other agencies purchasing from Monroe County's contract.**

PURCHASE ORDER ISSUANCE:

Delivery of services may be directed by the receipt of a Purchase Order only. **Items that are not part of this bid will not be paid for by Monroe County.** As to all purchase orders issued by Monroe County, exceptions may only be authorized, in writing, by the Purchasing Manager or his authorized agent prior to delivery.

BILLING PROCEDURE:

All invoices for items sold any authorized agency as a result of this contract must be billed in the following manner: Purchase Order #, Quantity, Description of Item Purchased, BP#, Item #, Extension and Total. **ALL INVOICES MUST BE MARKED WITH THE PURCHASE ORDER NUMBER. INVOICES WITHOUT THIS INFORMATION WILL NOT BE PROCESSED FOR PAYMENT.**

WARRANTY/ GUARANTEE:

All warranties by manufacturer shall apply. Bidder shall, as part of its proposal, furnish its warranty/guarantee for all goods/services to be furnished hereunder. As a minimum, Bidder shall warrant all goods for a period of one (1) year from date of acceptance. Bidder shall be obligated to repair or replace all defects in material or workmanship which are discovered or exist during said period. All labor, parts and transportation shall be at Bidder's expense.

COMPLIANCE WITH THE LAW:

The Contractor agrees to procure all necessary licenses and permits. The Contractor shall comply with all laws, rules and regulations pertaining to the payment of wages and all other matters applicable to the work performed under this contract.

UNCONTEMPLATED PURCHASES:

Monroe County reserves the right to request separate bids for such quantities of items on this contract that may be best procured via separate public bid offering and to otherwise act in furthering its own best interests.

SUBCONTRACT:

The Contractor shall not subcontract any work without first obtaining the written consent of the Monroe County Purchasing Manager.

RELATED ITEMS:

The County reserves the right to add miscellaneous related items to this contract during the contract term upon agreement by both parties as to the price. Approval must be given in writing by the Purchasing Manager or his Designee.

REPORT OF PURCHASE:

The Contractor must, upon request, provide the County Purchasing Manager with detailed information showing how much of each item was delivered, to any and all agencies under this contract. This includes deliveries to not only the County but any other municipality or agency which orders from this contract.

OTHER AGENCIES:

The Contractor(s) **must** honor the prices, terms and conditions of this contract with political subdivisions or districts located in whole or in part within Monroe County. In addition, the contractor may, but is not required to, extend the prices, terms and conditions of this contract to any political subdivision or district located in New York State. Usage of this contract by any of these other political subdivisions or districts will have to be coordinated between that subdivision or district and the contractor. Orders placed against this contract between any subdivision or district will be contracts solely between the Contractor(s) and those entities. Monroe County will not be responsible for, nor will it have any liability or other obligation for, such contract between the Contractor(s) and any third party.

INDEMNIFICATION:

The Contractor agrees to defend, indemnify and save harmless the County, its officers, agents, servants and employees from and against any and all liability, damages, costs or expenses, causes of action, suits, judgments, losses and claims of every name not described, including attorneys' fees and disbursements, brought against the County which may arise, be sustained, or occasioned directly or indirectly by any person, firm or corporation arising out of or resulting from the performance of the services by the Contractor, arising from any act, omission or negligence of the Contractor, its agents and employees, or arising from any breach or default by the Contractor under this Agreement. Nothing herein is intended to relieve the County from its own negligence or misfeasance or to assume any such liability for the County by the Contractor.

NOTICE OF JOB VACANCIES

- a) The contractor recognizes the continuing commitment on the part of Monroe County to assist those receiving temporary assistance to become employed in jobs for which they are qualified and the County's need to know when jobs become available in the community.
- b) The contractor agrees to notify the County when the contractor has or is about to have a job opening for a full time position within Monroe County or any contiguous county. Such notice shall be given as soon as practicable after the contractor has knowledge that a job opening will occur. The notice shall contain information that will facilitate the identification and referral of appropriate candidates in a form and as required by the Employment Coordinator. This would include at least a description of conditions for employment, including the job title and information concerning wages, hours per work week, location and qualifications (education and experience).
- c) Notice shall be given in writing to:
Employment Coordinator
Monroe County Department of Human and Health Services
Rm 535
691 St. Paul St.
Rochester, NY 14605
Telephone: (585) 753-6322
Fax: (585) 753-6308
- d) The contractor recognizes that this is an opportunity to make a good faith effort to work with Monroe County for the benefit of the community. Nothing contained in this provision, however, shall be interpreted as an obligation on the part of the contractor to employ any individual who may be referred by or through the County for job openings as a result of the above notice. Any decisions made by the contractor to hire any individual referred by or through the County shall be voluntary and based solely upon the contractor's job requirements and the individual's qualifications for the job, as determined by the contractor.
- e) If the contractor is a local municipality within Monroe County, said municipality shall be subject to the above subparagraphs, except that said municipalities shall not be required to give notice where the position is subject to a published civil service list.

COMPLIANCE WITH FEDERAL SINGLE AUDIT ACT

In the event the Contractor is a recipient through this contract, directly or indirectly of any funds of or from the United States Government, Contractor agrees to comply fully with the terms and requirements of Federal Single Audit Act [Title 31 United States Code, Chapter 75], as amended from time to time. The Contractor shall comply with all requirements stated in Federal Office of Management and Budget Circulars A-102, A-110 and A-133 and such other circulars, interpretations, opinions, rules or regulations that may be issued in connection with the Federal Single Audit Act.

If on a cumulative basis the Contractor expends Five Hundred Thousand and no/100 Dollars (\$500,000.00) or more in federal funds in any fiscal year, it shall cause to have a single audit conducted, the Data Collection Form (defined in Federal Office of Management and Budget Circular A-133) shall be submitted to the County; however, if there are findings or questioned costs related to the program that is federally funded by the County, the Contractor shall submit the complete reporting package (defined in Federal Office of Management and Budget Circular A-133) to the County.

If on a cumulative basis the Contractor expends less than Five Hundred Thousand and no/100 Dollars (\$500,000.00) in federal funds in any fiscal year, it shall retain all documents relating to the federal programs for three (3) years after the close of the Contractor's fiscal year in which any payment was received from such federal programs.

All required documents must be submitted within nine (9) months of the close of the Contractor's fiscal year end to:

Monroe County Internal Audit Unit
304 County Office Building
39 West Main Street
Rochester, New York 14614

The Contractor shall, upon request of the County, provide the County such documentation, records, information and data and response to such inquiries as the County may deem necessary or appropriate and shall fully cooperate with internal and/or independent auditors designated by the County and permit such auditors to have access to, examine and copy all records, documents, reports and financial statements as the County deems necessary to assure or monitor payments to the Contractor under this contract.

The County's right of inspection and audit pursuant to this contract shall survive the payment of monies due to Contractor and shall remain in full force and effect for a period of three (3) years after the close of the Contractor's fiscal year in which any funds or payment was received from the County under this contract.

Monroe County Department of Transportation

2015 Highway Material Group II

Technical Specifications

The specification item description will provide the reference between the technical specification and the price bid sheet proposal.

ITEM _____ ASPHALT CONCRETE HOT MIX COURSES

DESCRIPTION:

Provide asphalt concrete material at the vendor’s plant F.O.B. utilizing County trucks.

MATERIAL REQUIREMENT:

Material shall meet the requirements of the New York State Department of Transportation Standard Specifications, Section 400, latest revision, for asphalt concrete materials with the following exceptions.

The aggregate gradation for the following mixes shall be as follows:

| Sieve | Flexible Overlay/ Smooth Seal | Flexible Top | MC1 Binder |
|-------------------|----------------------------------|--------------|------------|
| | % Passing | % Passing | % Passing |
| 1” | | 100 | 100 |
| 1/2” | 100 | 95 – 100 | 90 – 100 |
| 1/4” | 90 – 100 | 78 – 98 | 60 – 85 |
| 1/8” | 65 – 85 | 34 – 58 | 42 – 72 |
| # 20 | 30 – 45 | 12 – 30 | 18 – 42 |
| # 40 | 18 – 35 | 6 – 22 | 12 – 32 |
| # 80 | 8 – 15 | 4 – 12 | 6 – 18 |
| # 200 | 3 - 8 | 2 – 6 | 2 - 18 |
| Asphalt Content % | 6.0 – 8.0 | 5.7 – 6.7 | 5.0 – 6.5 |

The following mixes shall be made produced utilizing performance graded binders meeting the criteria for PG 64-28:

- True & Leveling F9, Superpave HMA, (< 0.3 M ESAL’s)
- Shim Course F9, Superpave HMA, (< 0.3 M ESAL’s)
- 6.3mm F2 Polymer modified HMA (< 0.3 M ESAL’s)
- Top Course 9.5 mm F2 Superpave HMA, (< 0.3 M ESAL’s)
- Top Course 12.5 mm F2 Superpave HMA, (< 0.3 M ESAL’s)
- Binder Course 19 mm F9 Superpave HMA, (< 0.3 M ESAL’s)
- Binder Course 25 mm F9 Superpave HMA, (< 0.3 M ESAL’s)
- Base Course 37.5 mm F9 Superpave HMA, (< 0.3 M ESAL’s)

ASPHALT PRICE ADJUSTMENTS:

Asphalt price adjustments will be made according to the provisions provided in the asphalt adjustment appendix.

ITEM _____ ASPHALT CONCRETE HOT MIX COURSES

BASIS OF AWARD:

The County or a local municipal subdivision will select the asphalt vendor based upon the lowest total cost of the following elements:

1. Round trip distance (in miles) from the asphalt plant to the midpoint of the project multiplied by \$0.40 per english ton of asphalt per mile.
2. Material cost.
3. Production rate of asphalt material for project at the plant.
4. The County reserves the right to select the asphalt vendor for projects that do not require a paver and/or are less than 200 english tons per day.

QUALIFICATION OF BIDDER:

No bid will be considered unless firm submitting same can meet the following conditions:

1. That it owns or leases, manages and controls a plant adequate for and devoted to the manufacture of the item which it proposes to furnish.
2. Material furnished under these contracts shall be produced in an approved bituminous mixing plant meeting the requirements outlined in Section 401 or 402 of the New York State Department of Transportation Standard Specifications, latest revision. An approved plant shall be in operation at the location indicated by bidder herein within the (12) twelve month period prior to the bid opening date.
3. Bidder must indicate in the Invitation for Bids, plant locations and/or the NYS DOT Facility number from which material will be supplied in the event of award.

METHOD OF MEASUREMENT:

The quantity of material to be paid for shall be measured by the English Ton.

BASIS OF PAYMENT:

The bid price will be for material by the English ton

ITEM _____ ASPHALT CONCRETE HOT MIX COURSES

Payment will be made under:

| Item Description | Pay Unit |
|--|----------|
| Type MC1 Binder Course / County #1 Binder | Ton |
| 6.3 mm F2 Polymer Modified, (< 0.3 M ESAL's) | Ton |
| Flexible Overlay (Smooth Seal) | Ton |
| Flexible Top | Ton |
| True & Leveling F9, Superpave HMA, (< 0.3 M ESAL's) | Ton |
| Shim Course F9, Superpave HMA, (< 0.3 M ESAL's) | Ton |
| Top Course 9.5 mm F2 Superpave HMA, (< 0.3 M ESAL's) | Ton |
| Top Course 12.5 mm F2 Superpave HMA, (< 0.3 M ESAL's) | Ton |
| Binder Course 19 mm F9 Superpave HMA, (< 0.3 M ESAL's) | Ton |
| Binder Course 25 mm F9 Superpave HMA, (< 0.3 M ESAL's) | Ton |
| Base Course 37.5 mm F9 Superpave HMA, (< 0.3 M ESAL's) | Ton |

ITEM _____ PLANT MIXED ASPHALT PATCHING MATERIAL

DESCRIPTION:

This material shall be a plant mixed pavement patching material capable of storage in a stockpile composed of mineral aggregates, bituminous materials, and polymer fibers. The mix provided shall conform to one of the asphalt mixtures described in the Table of Composition herein.

Regardless of the material provided, it shall be uniform, workable, and have satisfactory setting properties at the time of delivery.

MATERIAL REQUIREMENT:

Patching material shall be produced using hot mix asphalt batch plants in accordance with the requirements of the New York State Department of Transportation Standard Specifications, Section 401, latest revision, except as modified herein.

1. Aggregates - Fine aggregate shall conform to section NYSDOT Section 703-01, Fine Aggregate. Course aggregate shall conform to NYSDOT Section 703-02, Coarse Aggregate. Crushed stone, crushed gravel, or approved crushed slag may be used.
2. Mineral Filler - Mineral filler, if used, shall conform to the requirements of NYSDOT Section 703-08, Mineral Filler.
3. Bituminous Materials - The bituminous material shall conform to the requirements outlined in NYSDOT Section 702, Bituminous Materials, or the Producer may elect to use an alternative bituminous material with or without modifying agents. Prior approval shall be obtained from the Associate Engineer - Highways for the use of alternative materials. For any bituminous material not listed in NYSDOT Section 702, Bituminous Materials, the Producer shall provide specifications for the alternative material to the Associate Engineer – Highways for approval.
4. Anti-Stripping Mixtures - An anti-stripping agent approved by the Associate Engineer - Highways shall be used as needed to meet the stripping test requirements. This may be incorporated with the bituminous material at the refinery or at the mixing plant.

Composition or Mixtures: The aggregate gradation, fiber and bituminous material quantities shall meet the requirements noted below.

The Producer shall submit a Job Mix Formula on forms available at the NYSDOT Regional Offices. The following information shall be provided with the Job Mix Formula submission:

- a. Aggregate gradation band and aggregate types.
- b. Bituminous Material - amount and type.
- c. Fiber Material - description and quantity.
- d. Description and quantities of additives, if used.
- e. Temperature ranges for material preparation.

ITEM _____ PLANT MIXED ASPHALT PATCHING MATERIAL

The Job Mix Formula shall be submitted to MCDOT for approval.. The Job Mix Formula shall be approved by the Associate Engineer – Highways and received by the Producer prior to the production of any mixture.

**TABLE OF COMPOSITION
FIBER REINFORCED ASPHALT PATCHING MIXTURES
GENERAL LIMITS AND JOB MIX FORMULA TOLERANCES**

| Sieve Size | Coarse Mix | | Intermediate Mix | | Fine Mix | |
|---------------------|------------|---------|------------------|---------|-----------|---------|
| | % Passing | Tol (1) | % Passing | Tol (1) | % Passing | Tol (1) |
| 1” | 100 | - | | | | |
| 1/2” | 95 - 100 | - | 100 | - | 100 | - |
| 1/4” | 55 - 75 | +5 | 90 - 100 | - | 90 - 100 | - |
| 1/8” | 15 - 40 | +6 | 12 - 40 | +6 | 35 - 60 | +6 |
| #80 | 0 - 5 | +2 | 0 - 5 | +2 | 2 - 10 | +3 |
| #200 | - | | - | | 0 - 5 | +2 |
| Bituminous Material | 4.0 - 7.5 | +0.4 | 4 - 8 | +0.4 | 5.5 - 8.0 | +0.4 |

- (1) All aggregate percentages are based on the total weight of the aggregate.
- (2) Bituminous material percentage is based on the total weight of the mix and shall include any additives.

Preparation of Mixtures: The aggregate shall be introduced into the pugmill at a temperature to eliminate free moisture on the aggregate surface. The mixture temperature shall be no greater than 212 deg. F. The net mixing time shall be sufficient to insure uniform coating after all materials are in the pugmill. Preparation of the mixture shall conform to the specification requirements outlined in NYSDOT Section 401, Plant Mix Pavements - General, except that automatic proportioning and recording equipment is not required.

Inspection, Testing & Acceptance: The Producer shall contact the MCDOT Associate Engineer – Highways having jurisdiction for his plant to arrange for an independent testing firm’s Inspector to inspect the preparation of mixtures. If inspection is not performed at the time of mixture preparation, samples from the stockpile shall be tested by the Department to determine the acceptability of the mixture prior to use for patching.

The following stripping test shall be conducted on the plant mixed material:

STRIPPING TEST:

A suitable size sample of the plant mixed material shall be permitted to cure at normal laboratory temperature for at least 24 hours after which it shall be placed in a glass jar, fitted with a tight cover, and completely covered with distilled water. The jar and contents shall then

ITEM _____ PLANT MIXED ASPHALT PATCHING MATERIAL

be allowed to stand for a period of 24 hours at normal laboratory temperature (approximately 70 deg. F.). The sample shall then be shaken vigorously for a period of 15 minutes. The water shall then be poured from the jar and the sample removed to a flat surface and be permitted to air dry after which it shall be visually examined for stripping of the bituminous film from the aggregate. The aggregate surfaces shall be at least 90 percent coated with bituminous film. Fibers stripped of bituminous material shall not be included as part of the determination of bituminous material stripping from aggregate surfaces.

The initial approval of a mixture or the initial acceptance of material shall in no way preclude further examination and testing if unsatisfactory results are achieved. The acceptance at any time shall not bar its future rejection.

METHOD OF MEASUREMENT:

The bulk material quantity shall be measured by the English Ton.
The packaged material (bagged / bucket) shall be measured by the pound.

BASIS OF PAYMENT:

Payment will be made under:

| Item No. | Item Description | Pay Unit |
|-----------------|--|-----------------|
| | Plant Mixed Asphalt Patching Material | Ton |
| | Packaged (bagged / bucket) Asphalt Patching Material | Pound |

ITEM _____ MODIFIED ASPHALT PATCHING MATERIAL

DESCRIPTION:

This material shall be a plant mixed pavement patching material. The bulk material shall be capable of storage in a stockpile composed of mineral aggregates, bituminous materials, and polymer fibers. The bagged or bucket patch shall meet all the criteria of the bulk mix. The mix provided shall conform to one of the asphalt mixtures described in the Table of Composition herein.

Regardless of the material provided, it shall be uniform, workable, and have satisfactory setting properties at the time of delivery.

MATERIAL REQUIREMENT:

Material shall meet the requirements of the New York State Department of Transportation Standard Specifications, Section 401, latest revision, except as modified herein.

1. Aggregates - Fine aggregate shall conform to section NYSDOT Section 703-01, Fine Aggregate. Course aggregate shall conform to NYSDOT Section 703-02, Coarse Aggregate. Crushed stone, crushed gravel, or approved crushed slag may be used.
2. Mineral Filler - Mineral filler, if used, shall conform to the requirements of NYSDOT Section 703-08, Mineral Filler.
3. Bituminous Materials - The bituminous material shall be one of the following or an approved equal:

| BRAND NAME | MANUFACTURER |
|---------------------------|---------------------------------|
| Perma-Patch® | Perma-Patch, Inc. |
| UPM® | UNIQUE PAVING MATERIALS |
| MC-400P | KOCH MATERIALS CO. |
| QPR® | QPR, A DIVISION OF LAGARGE N.A. |
| SK-MOD | SUIT KOTE CORP. |
| NORJOHN SPC | NORJOHN LTD. |
| DUROPATCH 115 | GORMAN BROS. |
| I.A.R. | I.M.U.S., INC. |
| MAC-V, EcoPatch® | MIDLAND ASPHALT CORP. |
| BOND X | SEABOARD ASPHALT PRODUCTS, INC. |
| SYLCRETE EV | SYLCRETE CORP. |
| HYPERPATCH | VESTAL ASPHALT, INC. |
| PERFORMIX | SEABOARD ASPHALT PRODUCTS, INC. |
| OPTIMIX | OPTIMIX, INC. |
| TOP MIX | TECH MIX |
| PARCO PATCH | PECKHAM MATERIALS CORP. |
| Quikrete® Black Top Patch | Quikrete Companies |

ITEM _____ MODIFIED ASPHALT PATCHING MATERIAL

4. Anti-Stripping Mixtures - An anti-stripping agent approved by the Associate Engineer - Highways shall be used as needed to meet the stripping test requirements. This may be incorporated with the bituminous material at the refinery or at the mixing plant.

Composition or Mixtures: The aggregate gradation, fiber and bituminous material quantities shall meet the requirements noted below.

The Producer shall submit a Job Mix Formula on forms available at the NYSDOT Regional Offices. The following information shall be provided with the Job Mix Formula submission:

- a. Aggregate gradation band and aggregate types.
- b. Bituminous Material - amount and type.
- c. Fiber Material - description and quantity.
- d. Description and quantities of additives, if used.
- e. Temperature ranges for material preparation.

The Job Mix Formula shall be submitted to MCDOT for approval. The Job Mix Formula shall be approved by the Associate Engineer – Highways and received by the Producer prior to the production of any mixture.

**TABLE OF COMPOSITION
FIBER REINFORCED ASPHALT PATCHING MIXTURES
GENERAL LIMITS AND JOB MIX FORMULA TOLERANCES**

| Sieve Size | Coarse Mix | | Intermediate Mix | | Fine Mix | |
|---------------------|------------|---------|------------------|---------|-----------|---------|
| | % Passing | Tol (1) | % Passing | Tol (1) | % Passing | Tol (1) |
| 1" | 100 | - | | | | |
| 1/2" | 95 - 100 | - | 100 | - | 100 | - |
| 1/4" | 55 - 75 | +5 | 90 - 100 | - | 90 - 100 | - |
| 1/8" | 15 - 40 | +6 | 12 - 40 | +6 | 35 - 60 | +6 |
| #80 | 0 - 5 | +2 | 0 - 5 | +2 | 2 - 10 | +3 |
| #200 | - | | - | | 0 - 5 | +2 |
| Bituminous Material | 4.0 - 7.5 | +0.4 | 4 - 8 | +0.4 | 5.5 - 8.0 | +0.4 |

- (1) All aggregate percentages are based on the total weight of the aggregate.
- (2) Bituminous material percentage is based on the total weight of the mix and shall include any additives.

Preparation of Mixtures: The aggregate shall be introduced into the pugmill at a temperature to eliminate free moisture on the aggregate surface. The mixture temperature shall be no greater than 215 deg. F. The net mixing time shall be sufficient to insure uniform coating after all

ITEM _____ MODIFIED ASPHALT PATCHING MATERIAL

materials are in the pugmill. Preparation of the mixture shall conform to the specification requirements outlined in NYSDOT Section 401, Plant Mix Pavements - General, except that automatic proportioning and recording equipment is not required.

Inspection, Testing & Acceptance: The Producer shall contact the MCDOT Associate Engineer – Highways having jurisdiction for his plant to arrange for an independent testing firm’s Inspector to inspect the preparation of mixtures. If inspection is not performed at the time of mixture preparation, samples from the stockpile shall be tested by the Department to determine the acceptability of the mixture prior to use for patching.

The following stripping test shall be conducted on the plant mixed material:

STRIPPING TEST:

A suitable size sample of the plant mixed material shall be permitted to cure at normal laboratory temperature for at least 24 hours after which it shall be placed in a glass jar, fitted with a tight cover, and completely covered with distilled water. The jar and contents shall then be allowed to stand for a period of 24 hours at normal laboratory temperature (approximately 70 deg. F.). The sample shall then be shaken vigorously for a period of 15 minutes. The water shall then be poured from the jar and the sample removed to a flat surface and be permitted to air dry after which it shall be visually examined for stripping of the bituminous film from the aggregate. The aggregate surfaces shall be at least 90 percent coated with bituminous film. Fibers stripped of bituminous material shall not be included as part of the determination of bituminous material stripping from aggregate surfaces.

The initial approval of a mixture or the initial acceptance of material shall in no way preclude further examination and testing if unsatisfactory results are achieved. The acceptance at any time shall not bar its future rejection.

METHOD OF MEASUREMENT:

The bulk material quantity shall be measured by the English Ton.
The packaged material (bagged / bucket) shall be measured by the pound.

BASIS OF PAYMENT:

Payment will be made under:

| Item Description | Pay Unit |
|--|-----------------|
| Modified Plant Mixed Asphalt Patching Material | Ton |
| Packaged (bagged / bucket) Asphalt Patching Material | Pound |

ITEM _____ RECLAIMED ASPHALT PAVEMENT (RAP) / MILLINGS & ASPHALT MILLINGS CREDIT

DESCRIPTION:

Provide a credit for asphalt millings accepted at a specific location, from Monroe County or one of its political subdivisions or; provide RAP / millings processed asphalt milling material F.O.B. at vendor's plant utilizing County trucks.

MATERIAL REQUIREMENT:

Material provided shall be exclusively asphalt pavement free from soil organics, or other deleterious materials. The material gradation shall meet the following criteria:

- 1" minus
- 9/16"
- 3/8"

METHOD OF MEASUREMENT:

The quantity of material to be paid for (or credited) shall be measured by the English Ton, where an approved scale is available.

BASIS OF PAYMENT:

Payment will be made under:

| Item No. | Item Description | Pay Unit |
|-----------------|-------------------------|-----------------|
| | Asphalt Millings Credit | Ton |
| | 1" RAP /Millings | Ton |
| | 9/16" RAP /Millings | Ton |
| | 3/8" RAP /Millings | Ton |

ITEM _____ MATERIAL HAULING

DESCRIPTION:

This item shall include the hauling of construction materials from the vendor's plant, pit or quarry to any point in Monroe County. Transportation (hauling) costs shall be based on two (2) unit prices. One price will be bid for transportation for 0 – 1 mile, and one price will be bid for any additional miles (one way).

For loading, hauling and delivery of stone fill (heavy) a fixed price per ton will be added the bid price for the material.

MATERIAL REQUIREMENT:

None specified.

DELIVERY REQUIREMENT:

The use of this Material Hauling Item can ONLY be used for a minimum single delivery load of 18 Tons.

METHOD OF MEASUREMENT:

The quantity for payment will be based on the actual miles traveled one way, for each ton or cy of material delivered. The material bid unit cost and the material hauling cost will be paid by the same unit.

For loading, hauling and delivery of stone fill (heavy) a fixed price per ton contained in the proposal will be added to the bid price for the material. This price is to cover the additional labor, equipment and handling costs associated with loading of the heavy stone fill into specific trucks, as well as the delivery of the material to the project site. The special loading, hauling and delivery charge shall be added to each the ton of material delivered. **This additional fixed price per ton cost in the proposal only applies to the hauling of the stone fill (Heavy).**

BASIS OF BID:

- A. The 0 to 1 mile price will be the bid price (per ton or cy)for any distance traveled up to and including one mile. This 0 to 1 mile material hauling bid price will be **added** to the material cost. The final figure will constitute the cost to deliver one ton of material up to one mile (one way).
- B. The 1 + mile price will be the bid price (per ton or cy) for any distance traveled after the first mile. This 1+ mile bid price will be multiplied by the total number of miles (less the first mile), added to the bid price for 0 to 1 mile, **and then added** to the material cost. This final figure will constitute the cost to deliver one ton of material the total number of miles (one way).

ITEM _____ MATERIAL HAULING

BASIS OF PAYMENT:

Payment will be made under:

| Item No. | Description | Pay Unit |
|-----------------|---|---------------------|
| | Material hauling cost for 0 to 1 mile per ton of material | Ton |
| | Material hauling cost for > 1 mile per ton of material | Ton |
| | Material hauling cost for 0 to 1 mile per CY of material | CY |
| | Material hauling cost for > 1 mile per CY of material | CY |
| | Material hauling and loading for Stone Filling (Heavy) ONLY (Additional Charge). | Fixed price per ton |

ITEM _____ BITUMINOUS MATERIAL (LIQUID) TACK COAT IN FIVE (5) GALLON METAL PAILS:

DESCRIPTION:

Provide bituminous liquid tack coat material in five (5) gallon metal pails at bidder's plant F.O.B. utilizing County vehicles.

MATERIAL REQUIREMENT:

Material shall meet the requirements of the New York State Department of Transportation Standard Specifications, Section 702-90, latest revision, for bituminous liquid tack coat material.

The bidder shall have a minimum of 10 (ea) 5 gallon pails of liquid tack coat available at all times.

METHOD OF MEASUREMENT:

The quantity of material to be paid for shall be measured by the number of five (5) gallon pails.

BASIS OF PAYMENT:

Payment will be made under:

| Item No. | Item Description | Pay Unit |
|-----------------|--|-----------------|
| | Bituminous Liquid Tack Coat (5 Gallon Metal Pails) | 5 Gallon Pails |

**ITEM _____ STONE AGGREGATES (QUARRY)
STONE AGGREGATES (GRAVEL PIT)**

DESCRIPTION:

Provide stone aggregate material at the vendor's plant F.O.B. utilizing County trucks.

MATERIAL REQUIREMENT:

Material shall meet the requirements of the New York State Department of Transportation Standard Specifications, Sections 304, 620 & 703-02 coarse aggregate, latest revision as appropriate.

Items specified as "washed" shall conform to the provisions of Table 703-3, Physical Requirements, and Footnote 3, (NYSDOT Standard Specifications) as it pertains to "surface treatments and cold mix bituminous pavements."

Items specified as 3/8W, CR-5/8, CR-1, CR-2, refer to maximum size of aggregate 3/8", 5/8", 1", 2", respectively.

Items specified as crusher run shall conform to all the provisions of Section 203 & 302 New York State Specifications with the exception that the usage of crushed concrete and masonry products will be allowed for the creation of Recycled Concrete.

METHOD OF MEASUREMENT:

The quantity of material to be paid for shall be measured by the English Ton

BASIS OF BID:

Unit price bid shall be per ton and include all costs of furnishing and loading the material F.O.B. County trucks at bidders pit or quarry. If an approved scale is not available a price per cubic yard will be accepted as indicated in the proposal. Bidders should not bid both a cubic yard and per ton price.

It will be required that reasonable quantities of stone sizes bid upon shall be available at all times during the term of the contract.

The County also requests a unit price per ton or CY for plant mixing of aggregates to facilitate a specific gradation of sized aggregates to be determined by a municipality.

**ITEM _____ STONE AGGREGATES (QUARRY)
STONE AGGREGATES (GRAVEL PIT)**

BASIS OF PAYMENT:

Payment will be made under either unit as indicated in the bid proposal:

| Item No. | Item Description | Pay Unit |
|-----------------|----------------------------|-----------------|
| | 5/8" Crushed Stone | Ton |
| | 5/8" Crusher Run | Ton |
| | #1 Crushed Stone | Ton |
| | #1 Crusher Run | Ton |
| | #2 Crushed Stone | Ton |
| | #2 Crusher Run | Ton |
| | #3 Crusher Run | Ton |
| | Crushed Stone Screenings | Ton |
| | #1 Washed Stone | Ton |
| | #1 Washed Crushed Stone | Ton |
| | #1A Stone | Ton |
| | 3/8" Washed Stone | Ton |
| | #1A Washed Stone | Ton |
| | #1B Stone | Ton |
| | #1B Washed Stone | Ton |
| | #1 ST Washed Stone | Ton |
| | #2 Stone | Ton |
| | #2 Washed Stone | Ton |
| | #3 Stone | Ton |
| | #4 Stone | Ton |
| | #4A Stone | Ton |
| | #5 Stone | Ton |
| | Screened gravel | Ton or CY |
| | Stone Filling _ (Fine) | Ton |
| | Stone Filling – (Light) | Ton |
| | Stone Filling – (Medium) | Ton |
| | Stone Filling – (Heavy) | Ton |
| | Plant Mixing of Aggregates | CY |

BASIS OF AWARD:

The County or a local municipal subdivision will select the vendor based upon the lowest total cost of the following elements:

1. Round trip distance (in miles) from the plant to the midpoint of the project multiplied by \$0.40 per english ton of asphalt per mile.
2. Material cost.
3. The County reserves the right to select the vendor based on material quality and quantity for each given project.

ITEM _____ CONCRETE FOR STRUCTURES

DESCRIPTION:

Furnish and deliver Portland cement concrete material, as specified, F.O.B. to any point in Monroe County on 24 hour notice.

MATERIAL REQUIREMENT:

Material shall meet the requirements of the New York State Department of Transportation Standard Specifications, Section 500, latest revision, for Portland cement concrete material. The plant, equipment and materials shall be NYSDOT approved.

BASIS OF AWARD:

Award will based upon the lowest bid for each material type bid. The bid price shall include delivery and the 1st hour of on site waiting time.

A small load is defined as an order of less than 4 Cubic Yards.

Excess waiting time is defined as any on site waiting time in excess of 1 hour, and shall be paid at the bid price (\$/minute).

METHOD OF MEASUREMENT:

The quantity of material to be paid for shall be measured by the cubic yard delivered.

The following options (if requested) will be paid at the following fixed unit prices as indicated in the award documents:

| Item | Price |
|---------------------|--------------|
| Heat | \$10/CY |
| Small Load Charge | \$65/Load |
| Retarder | \$4/CY |
| High Early | \$8/CY |
| DCI | \$10/CY |
| Excess waiting time | \$1/Min. |

BASIS OF PAYMENT:

Payment will be made under:

| Item No. | Item Description | Pay Unit |
|-----------------|---------------------------------|-----------------|
| | Concrete for Structures Class A | CY |
| | Concrete for Structures Class D | CY |

ITEM _____ CONCRETE GROUTING MATERIAL:

DESCRIPTION:

Furnish and deliver Portland cement concrete grouting material, F.O.B. to any point in Monroe County on 24 hour notice.

MATERIAL REQUIREMENT:

Material shall meet the requirements of the New York State Department of Transportation Standard Specifications, Section 701-05, Concrete Grouting Material, latest revision. The plant, equipment and materials shall be NYSDOT approved.

BASIS OF AWARD:

Award will be based upon the lowest bid for each material type bid. The bid price shall include delivery and the 1st hour of on-site waiting time.

A small load is defined as an order of less than 4 Cubic Yards.

Excess waiting time is defined as any on-site waiting time in excess of 1 hour, and shall be paid at the bid price (\$/minute).

METHOD OF MEASUREMENT:

The quantity of material to be paid for shall be measured by the cubic yard delivered.

BASIS OF PAYMENT:

Payment will be made under:

| Item No. | Item Description | Pay Unit |
|-----------------|----------------------------|-----------------|
| | Concrete Grouting Material | CY |

ITEM _____ CONTROLLED LOW STRENGTH MATERIAL:

DESCRIPTION:

Furnish and deliver controlled low strength material, F.O.B. to any point in Monroe County on 24 hour notice.

MATERIAL REQUIREMENT:

Material shall meet the requirements of the New York State Department of Transportation Standard Specifications, Section 204, controlled low strength material, latest revision. The plant, equipment and materials shall be NYSDOT approved.

BASIS OF AWARD:

Award will based upon the lowest bid for each material type bid. The bid price shall include delivery and the 1st hour of on-site waiting time.

A small load is defined as an order of less than 4 Cubic Yards.

Excess waiting time is defined as any on site waiting time in excess of 1 hour, and shall be paid at the bid price (\$/minute).

METHOD OF MEASUREMENT:

The quantity of material to be paid for shall be measured by the cubic yard delivered.

BASIS OF PAYMENT:

Payment will be made under:

| Item No. | Item Description | Pay Unit |
|-----------------|----------------------------------|-----------------|
| | Controlled Low Strength Material | CY |

ITEM _____ FLOWABLE FILL (PURE WATERS BLEND)

DESCRIPTION:

The work shall consist of furnishing and placing a cementitious, flowable, low strength slurry backfill as shown on the plans or as directed by the Engineer, in writing, and in accordance with this Specification.

MATERIAL REQUIREMENT:

Portland Cement - Type I or II - ASTM C-150.

Water - Potable.

Fly Ash - Shall be tested for toxicity pursuant to a testing protocol approved by the New York State Department of Environmental Conservation (NYSDEC). The Engineer shall be provided with a copy of documentation issued by the supplier, confirming conformance with applicable NYSDEC rules and regulations. Fly Ash shall conform to the chemical and physical requirements for mineral admixture for Class F and/or Class C as listed in ASTM C-618, including Table 2 (except footnote A). The loss of ignition shall be waived.

Crushed Glass Aggregate - Shall be used in flowable mixtures purchased by Monroe County Pure Waters. Flowable Fills using crushed glass aggregate shall typically contain 500 to 1000 lbs. (15% - 30% of total mixture by weight) of crushed glass aggregate. The maximum size of crushed glass aggregate shall be 100% passing the 3/8" sieve.

Chemical admixtures - Shall be liquid or in powdered form that are used for standard ready mixed concrete production unless specifically designed for a flowable fill (i.e. high air generators).

MONROE COUNTY PURE WATERS BLEND FOR FLOWABLE FILL WITH CRUSHED GLASS:

85# Portland Cement ASTM C-150.

1450# Fly Ash ASTM C-618 Class F (loss of ignition waived).

700# Crushed Glass processed by Monroe County Recycling Center and/or Monroe County Fleet Center

Compressive strength 50 - 150 PSI @ 28 days.

CONSTRUCTION DETAILS:

Prior to mixing any flowable fill back fill material, the Contractor shall submit to the Engineer, a mix design and laboratory test results or historical test data from previous projects using a

ITEM _____ FLOWABLE FILL (PURE WATERS BLEND)

similar flowable fill mixture. Test results shall show source and type (or Class) of materials, batch proportions and conformance to the strength requirements.

All equipment for this work shall be subject to the approval of the Engineer at all times. The plant shall be either a continuous or batch type plant, designed to proportion either by weight or by volume, such that a uniform mix will result.

Prior to placement, the operator shall insure a thorough and uniform mix, by mixing at the plant or in transit.

If prepared at a continuous plant, the mix may be transported in open-top haul units when the material can be placed within 30 minutes at the completion of mixing. Material placed in excess of 30 minutes after the completion of mixing shall be transported in rotating drum type units capable of 2-6 rpm.

The method of placing the flowable fill shall be as approved by the Engineer.

The flowable fill shall be accepted on the basis of inspection and approval by the Engineer.

METHOD OF MEASUREMENT:

Award will be based upon the lowest bid for each material type bid. The bid price shall include delivery and the 1st hour of on-site waiting time.

A small load is defined as an order of less than 4 Cubic Yards.

Excess waiting time is defined as any on-site waiting time in excess of 1 hour, and shall be paid at the bid price (\$/minute).

BASIS OF PAYMENT:

Payment will be made under:

| Item No. | Item Description | Pay Unit |
|-----------------|-----------------------------------|-----------------|
| | Flowable Fill (Pure Waters Blend) | CY |

ITEM _____ TOPSOIL

DESCRIPTION:

Provide topsoil material at the vendor's pit or quarry F.O.B. utilizing County trucks.

MATERIAL REQUIREMENT:

Material shall meet the requirements of the New York State Department of Transportation Standard Specifications, Section 713-01, Topsoil, latest revision.

METHOD OF MEASUREMENT:

The quantity of material to be paid for shall be measured by the English Ton, where an approved scale is available. If an approved scale is not available, a cubic yard price will be accepted.

BASIS OF BID:

The county requests bids in for each material designated as follows:

Unit price bid shall include all costs of furnishing and loading the material F.O.B. County trucks at vendors pit or quarry.

A separate material hauling price per ton or cubic yard for vendor hauling will be bid and applied to the material in this specification.

BASIS OF PAYMENT:

Payment will be made under:

| Item No. | Description | Pay Unit |
|-----------------|----------------------|-----------------|
| | Topsoil - Screened | Ton |
| | Topsoil – Screened | CY |
| | Topsoil – Unscreened | Ton |
| | Topsoil – Unscreened | CY |

BASIS OF AWARD:

Due to the variable locations and availability of topsoil throughout the construction season; The County or a local municipal subdivision will select the vendor based upon the closest location of the vendor material stockpile and the availability of dry, quality topsoil meeting the specifications and the quantity requirements of the project.

ITEM _____ FILL DIRT MATERIAL

DESCRIPTION:

Provide fill dirt material at the vendor's pit or quarry F.O.B. utilizing County trucks.

MATERIAL REQUIREMENT:

In general, this material will consist of mineral (inorganic) soil. Such soil shall not contain organic material or solids (stones) larger than 6 inches. Material shall be subject to the approval of the Associate Engineer – Highways.

METHOD OF MEASUREMENT:

The quantity of material to be paid for shall be measured by the English Ton, where an approved scale is available. If an approved scale is not available, a cubic yard price will be accepted.

BASIS OF BID:

The county requests bids for each material designated as follows:

Unit price bid shall include all costs of furnishing and loading the material F.O.B. County trucks at vendors pit or quarry.

A separate material hauling price per ton or cubic yard for vendor hauling will be bid and applied to the material in this specification.

BASIS OF PAYMENT:

Payment will be made under:

| Item No. | Item Description | Pay Unit |
|-----------------|-------------------------|-----------------|
| | Fill Dirt Material | Ton |
| | Fill Dirt Material | CY |

BASIS OF AWARD:

Due to the variable locations and availability of suitable fill material throughout the construction season; The County or a local municipal subdivision will select the vendor based upon the closest location of the vendor material stockpile and the availability of suitable fill material meeting the specifications and the quantity requirements of the project.

ITEM _____ COMPOST TOPSOIL

DESCRIPTION:

Provide compost topsoil at the vendor's pit or quarry F.O.B. utilizing County trucks.

MATERIAL REQUIREMENT:

Topsoil component ratios will vary according to the designated use of this mixture.

The following is an ideal mixture:

- 2 parts topsoil (sandy)
- 1 part organic material (compost)

The particle size of the sand should be consistently a medium sand with less than 15% fine sand or coarse sand.

The material shall meet the following criterion:

| Particle Size: | | % |
|-------------------|------------------------------|-------------------------------|
| Gravel | Greater than 3 mm | 0 |
| Fine Gravel | 2 –3 mm | 0 |
| Very Coarse Sand | 1 –2 mm | Max 10% above 1 mm |
| Coarse Sand | 0.5 – 1 mm | Min 65% between 0.25 and 1 mm |
| Medium Sand | 0.25 – 0.5 mm | Min 65% between 0.25 and 1 mm |
| Fine Sand | 0.05 – 0.1 mm | Less than 25% below 0.25 mm |
| Very Fine Sand | 0.05 – 0.1 mm | Less than 25% below 0.25 mm |
| Silt | 0.002 – 0.05 mm | Less than 5% |
| Clay | Less than 0.002 mm | Less than 3% |
| Bulk Density | 1.2 – 1.6 g/cm | |
| Porosity | Total 40 – 55% of water | Non-capillary minimum 15% |
| Infiltration Rate | 4 – 10 in/hour @ 40 cm water | |
| pH | 5.5 – 6.5 | |

Vendors, when submitting bids for this material, be sure to include the pH spec. Bulk density, porosity and infiltration rate specs may drive prices high. Specification may be relaxed to include a coarse sand but steer clear of fine sands, silts and clays as they tend to compact. A mixture of this quality will be a premium mix.

METHOD OF MEASUREMENT:

The quantity of material to be paid for shall be measured by the English Ton, where an approved scale is available. If an approved scale is not available, a cubic yard price will be accepted.

ITEM _____ COMPOST TOPSOIL

BASIS OF BID:

The county requests bids for each material designated as follows:

Unit price bid shall include all costs of furnishing and loading the material F.O.B. County trucks at vendors location

A separate material hauling price cubic yard for vendor hauling will be bid and applied to the material in this specification.

BASIS OF PAYMENT:

Payment will be made under:

| Item No. | Item Description | Pay Unit |
|-----------------|-------------------------|-----------------|
| | Compost Topsoil | CY |

BASIS OF AWARD:

Due to the variable locations and availability of topsoil throughout the construction season; The County or a local municipal subdivision will select the vendor based upon the closest location of the vendor material stockpile and the availability of dry, quality topsoil meeting the specifications and the quantity requirements of the project

ITEM _____ SELECT STRUCTURAL FILL MATERIAL:

DESCRIPTION:

Provide structural fill material at the vendor's plant F.O.B. utilizing County trucks.

MATERIAL REQUIREMENT:

Material shall meet the requirements of the New York State Department of Transportation Standard Specifications, Section 203, latest revision.

METHOD OF MEASUREMENT:

The quantity of material to be paid for shall be measured by the English Ton, where an approved scale is available. If an approved scale is not available, a cubic yard price will be accepted.

BASIS OF BID:

The county requests bids for each material designated as follows:

Unit price bid shall include all costs of furnishing and loading the material F.O.B. County trucks at vendors pit or quarry.

A separate material hauling price per ton or cubic yard for vendor hauling will be bid and applied to the material in this specification.

BASIS OF PAYMENT:

Payment will be made under:

| Item No. | Item Description | Pay Unit |
|-----------------|-------------------------|-----------------|
| | Select Structural Fill | Ton |
| | Select Structural Fill | CY |

BASIS OF AWARD:

The County or a local municipal subdivision will select the vendor based upon the lowest total cost of the following elements:

1. Round trip distance (in miles) from the asphalt plant to the midpoint of the project multiplied by \$0.40 per english ton of asphalt per mile.
2. Material cost.
3. The County reserves the right to select the vendor based on material quality and quantity for each given project.

ITEM _____ SAND MATERIAL:

DESCRIPTION:

Provide sand material at the vendor's plant F.O.B. utilizing County trucks.

MATERIAL REQUIREMENT:

Material shall meet the requirements of the New York State Department of Transportation Standard Specifications, Sections 703-03, 04 & 07, latest revision, for mortar sand, grout sand and concrete sand. Abrasive A & B material shall meet the requirements of Group 33700 of the State of New York Executive Department, Office of General Services

| Material # | Descriptive Title | Material Size Range & Miscellaneous Notes | Material Use |
|------------|----------------------|---|---|
| 703-03 | Mortar Sand | Concrete sand is a permitted alternate | Fine sand for use in making mortar for masonry work |
| 703-04 | Grout Sand | #100 - #16 | Fine sand for use in making grout |
| 703-07 | Concrete Sand | #200 - 3/8" | Sand for use in making Portland cement concrete |
| Abrasive A | Abrasive Gradation A | #200 - 3/8" | Abrasive used to treat snow and ice on pavements |
| Abrasive B | Abrasive Gradation B | #200 - 3/8" | Abrasive used to treat snow and ice on pavements |

METHOD OF MEASUREMENT:

The quantity of material to be paid for shall be measured by the English Ton, where an approved scale is available. If an approved scale is not available, a cubic yard price will be accepted.

BASIS OF BID:

The county requests bids for each material designated as follows:

Unit price bid shall include all costs of furnishing and loading the material F.O.B. County trucks at vendors pit or quarry.

A separate material hauling price per ton for vendor hauling will be bid and applied to the material in this specification.

BASIS OF PAYMENT:

Payment will be made under:

| Item No. | Item Description | Pay Unit |
|----------|------------------|----------|
| | Mortar Sand | Ton |
| | Grout Sand | Ton |
| | Concrete Sand | Ton |
| | Ice Control Sand | Ton |

ITEM _____ SAND MATERIAL:

BASIS OF AWARD:

The County or a local municipal subdivision will select the vendor based upon the lowest total cost of the following elements:

1. Round trip distance (in miles) from the asphalt plant to the midpoint of the project multiplied by \$0.40 per english ton of asphalt per mile.
2. Material cost.
3. The County reserves the right to select the vendor based on material quality and quantity for each given project.

ITEM _____ MASONRY ITEMS

DESCRIPTION:

Provide material F.O.B. to any point in Monroe County within 24 hours of receipt of order.

MATERIAL REQUIREMENT:

1. **Common Brick - Full Height:** Bid for common brick shall meet the requirements of NYSDOT Standard Specifications Section 704-01, latest revision. Dimensions will be 8" long, 4" wide, 2 2/3" high.
2. **Common Brick - Half Height:** Bid for common brick shall meet the requirements of NYSDOT Standard Specifications Section 704-01, latest revision. Dimensions will be 8" long, 4" wide, 1 1/3" high.
3. **Mortar Mix (Bagged):** Bid shall be for 80 lb. bags Quikrete Mortar Mix.
4. **Concrete Mix (Bagged):** Bid shall be for 80 lb. bags Quikrete Concrete Mix.
5. **Portland Cement (Bagged):** Bid for Portland Cement shall meet the requirements of NYSDOT Standard Specifications Section 701-1, Type 2, latest revision. Price will be for 94 lb. bags.
6. **Black Beauty (Bagged):** Bid shall be for 100 lb. bags of Sand Blasting Sand Type 1240 medium.

METHOD OF MEASUREMENT:

Material shall be measured for payment as follows:

| # | ITEM | PAYMENT UNIT |
|---|----------------------------|--------------|
| 1 | Common Brick – Full Height | Each |
| 2 | Common Brick – Half Height | Each |
| 3 | Mortar Mix - 80 # Bag | Bags |
| 4 | Concrete Mix – 80 # Bag | Bags |
| 5 | Portland Cement – 94 # Bag | Bags |
| 6 | Black Beauty – 100 # Bag | Bags |

ITEM _____ MASONRY ITEMS

BASIS OF BID:

The unit price bid for each item shall include all costs to furnish and deliver the material F.O.B. to any point in Monroe County within 24 hours of receipt of order.

Brick purchases are to be made in full cube / pallet increments only. Deliveries shall be made between 8:00 AM and 3:00 PM Monday through Friday. The per brick price is used only for the award.

The cost of a pallet is to be included in the cost of the commodity. No pallet rental charges or any other pallet charges will be allowed or accepted.

BASIS OF PAYMENT:

Payment will be made under:

| Item No. | Description | Pay Unit |
|-----------------|----------------------------|-----------------|
| | Common Brick – Full Height | Each |
| | Common Brick – Half Height | Each |
| | Mortar Mix - 80 # Bag | Bag |
| | Concrete Mix – 80 # Bag | Bag |
| | Portland Cement - 94# Bag | Bag |
| | Black Beauty – 100 # Bag | Bag |

ITEM _____ COMMON SEWER BRICK

DESCRIPTION:

This item shall include furnishing and delivery of common sewer brick F.O.B. to any point in Monroe County.

MATERIAL REQUIREMENT:

The composition of the bricks shall be first quality, sound, hand-burned, and standard size conforming to ASTM Standard C-32-69 Grade SS, ASTM C-216-71, Grade SW.

METHOD OF MEASUREMENT:

The unit price bid solicited is per each brick; pricing F.O.B. at any point in Monroe County.

The cost of a pallet is to be included in the cost of the commodity. No pallet rental charges or any other pallet charges will be allowed or accepted.

BASIS OF BID:

The unit price bid for each item shall include all costs to furnish and deliver the material F.O.B. to any point in Monroe County within 24 hours of receipt of order.

Purchases are to be made in full cube / pallet increments only. Deliveries shall be made between 8:00 AM and 3:00 PM Monday through Friday. The per brick price is used only for the award.

BASIS OF PAYMENT:

Payment will be made under:

| Item No. | Description | Pay Unit |
|-----------------|--------------------|-----------------|
| | Common Sewer Brick | EA |

ITEM _____ PATIO PAVERS

DESCRIPTION:

Provide Patio Pavers F.O.B. to any point in Monroe County within 7 working days of order.

MATERIAL REQUIREMENT:

The Patio Pavers shall be 4" X 8" X 1½" Red Range Bantam Patio Pavers. Deliveries shall be made between 8:00 AM and 3:00 PM Monday through Friday.

METHOD OF MEASUREMENT:

Item will be 630 pavers to a pallet and delivered within 7 working days of order. Item shall be measured for payment per paver for each pallet delivered.

BASIS OF BID:

Bid should be per paver for unit F.O.B. any point in Monroe County.

The cost of a pallet is to be included in the cost of the commodity. No pallet rental charges or any other pallet charges will be allowed or accepted.

BASIS OF PAYMENT:

Payment will be made under:

| Item No. | Description | Pay Unit |
|-----------------|--------------------|-----------------|
| | Patio Pavers | Each |

ITEM _____ DETECTABLE WARNING MATERIALS

DESCRIPTION:

Provide detectable warning materials F.O.B. to any point in Monroe County.

MATERIAL REQUIREMENT:

Material shall meet the requirements of the New York State Department of Transportation Standard Specifications, Section 608, latest revision, and appear on the NYSDOT current approved list (copy below) for the specific application.

PROVISIONALLY APPROVED SURFACE APPLIED DETECTABLE WARNINGS PRODUCT LIST

| PRODUCT NAME | MANUFACTURER/LOCATION |
|--|--|
| Armor-Tile Surface Applied System | Engineered Plastics, Inc. Williamsville, NY 14221 |
| DWS TILES | Troy DieCutting Company Troy, NY 12180 |
| SAFTI-TRAX | Cote-L Industries Teaneck, NJ 07666 |
| STRONGWARN | Strongwall Industries, Inc. Ridgewood, NJ 07450 |
| Tactile Warning Tile | ADA Solutions, Inc. North Billerica, MA 01862 |
| Trelleborg's TGS (Tactile Guidance System) | Trelleborg Industri-AB Edison, NJ 08820 |

PROVISIONALLY APPROVED EMBEDDED PREFORMED DETECTABLE WARNINGS PRODUCT LIST

| PRODUCT NAME | MANUFACTURER/LOCATION |
|--|--|
| ADA Pavers | Whitacre-Greer Alliance, Ohio 44601 |
| Armor-Tile Cast-in-Place System | Engineered Plastics, Inc. Williamsville, NY 14221 |
| Detecto-Tile | Detecto-Tile, Inc. Central Valley, NY 10917 |
| Press in Place Paver Tile | ADA Solutions, Inc. North Billerica, MA 01862 |
| STEP-Safe Precast Polymer Concrete | Transpo Industries New Rochelle, NY 10801 |
| Provisionally Approved Detectable Warnings Paver Product List | |
| Oaks Detectable Warning Paver | Oaks Concrete Products Milton, Ontario |
| Hanover Detectable Warning Paver | Hanover Architectural Products Hanover, PA 17331 |

ITEM _____ DETECTABLE WARNING MATERIALS

METHOD OF MEASUREMENT:

- A. Surface Applied Detectable Warning material shall be measured for payment by the square foot.
- B. Embedded Detectable Warning material shall be measured for payment by the square foot
- C. Detectable Warning material paver bricks shall be measured for payment by the square foot

BASIS OF BID:

The unit price bid shall include all costs to furnish and deliver the material F.O.B. to any point in Monroe County.

The cost of a pallet is to be included in the cost of the commodity. No pallet rental charges or any other pallet charges will be allowed or accepted.

BASIS OF AWARD

Each vendor will supply pricing for the products which they can provide. A separate award will be made for each product. In the event that Bidders provide a bid price on the same product the award will be made to the lowest bidder.

BASIS OF PAYMENT:

Payment will be made under:

| Item No. | Description | Pay Unit |
|-----------------|--|-----------------|
| | Surface Applied Detectable Warning Material | SF |
| | Embedded Preformed Detectable Warning Material | SF |
| | Detectable warning paver bricks | SF |

ITEM _____ GRASS SEED – GENERAL MIX (HIGHWAY BLEND)

DESCRIPTION:

This item shall include providing grass seed to any point F.O.B. in Monroe County within 24 hours of order.

MATERIAL REQUIREMENT:

Material shall meet the requirements of the New York State Department of Transportation Standard Specifications, Section 713, latest revision. All seed shall be entophyte enhanced for disease resistance. All germination testing shall be no more than six months from the date of purchase.

Grass seed shall meet the requirements below:

| NAME | % PER LB. |
|------------------------------------|-----------|
| Fine Textured Perennial Rye | 50% |
| Chewing Fescue | 20% |
| Creeping Red Fescue | 15% |
| Kentucky Blue Grass | 15% |
| Weed seed shall not exceed | 0.05% |
| Noxious seed shall not exceed | 0.0% |
| Crop seed shall not exceed | 0.0% |
| Inert matter shall not exceed | 1.5% |
| Germination shall not be less than | 90% |

METHOD OF MEASUREMENT:

The quantity of material to be paid for will be measured by the 50 pound bag.

BASIS OF BID:

The unit price bid solicited is per 50 lb. bag F.O.B. at any point in Monroe County within 24 hours of order.

BASIS OF PAYMENT:

Payment will be made under:

| Item No. | Description | Pay Unit |
|----------|--|------------|
| | Grass Seed – General Mix (Highway Blend) | 50 Lb. Bag |

ITEM _____ GRASS SEED - PREMIUM MIX (PURE WATERS BLEND)

DESCRIPTION:

This item shall include providing grass seed to any point F.O.B. in Monroe County within 24 hours of order.

MATERIAL REQUIREMENT:

Material shall meet the requirements of the New York State Department of Transportation Standard Specifications, Section 713, latest revision. All seed shall be entophyte enhanced for disease resistance. All germination testing shall be no more than six months from the date of purchase.

Grass seed shall meet the requirements below:

| NAME | % PER LB. |
|------------------------------------|-----------|
| Kentucky Bluegrass | 40% |
| Fine Texture Perennial Rye | 35% |
| Chewing Fescue | 25% |
| Weed seed shall not exceed | 0.05% |
| Noxious seed shall not exceed | 0.0% |
| Crop seed shall not exceed | 0.0% |
| Inert matter shall not exceed | 1.5% |
| Germination shall not be less than | 90% |

METHOD OF MEASUREMENT:

The quantity of material to be paid for will be measured by the pound.

BASIS OF BID:

The unit price bid solicited is per 50 lb. bag F.O.B. at any point in Monroe County within 24 hours of order.

BASIS OF PAYMENT:

Payment will be made under:

| Item No. | Description | Pay Unit |
|----------|--|------------|
| | Grass Seed – Premium Mix (Pure Waters Blend) | 50 Lb. bag |

ITEM _____ GRASS SEED – ANNUAL RYEGRASS

DESCRIPTION:

This item shall include providing grass seed to any point F.O.B. in Monroe County 24 hours of order.

MATERIAL REQUIREMENT:

Material shall meet the requirements of the New York State Department of Transportation Standard Specifications, Section 713, latest revision. All seed shall be entophyte enhanced for disease resistance. All germination testing shall be no more than six months from the date of purchase.

Grass seed shall meet the requirements below:

| NAME | % PER LB. |
|------------------------------------|-----------|
| Annual Ryegrass | 100% |
| Weed seed shall not exceed | 0.05% |
| Noxious seed shall not exceed | 0.0% |
| Crop seed shall not exceed | 0.0% |
| Inert matter shall not exceed | 1.5% |
| Germination shall not be less than | 90% |

METHOD OF MEASUREMENT:

The quantity of material to be paid for will be measured by the 50 pound bag.

BASIS OF BID:

The unit price bid solicited is per 50 lb. bag F.O.B. at any point in Monroe County within 24 hours of order.

BASIS OF PAYMENT:

Payment will be made under:

| Item No. | Description | Pay Unit |
|----------|------------------------------|------------|
| | Grass Seed – Annual Ryegrass | 50 Lb. bag |

**ITEM _____ GRASS SEED – QUICK GROW / TRIPLE PERENIAL RYEGRASS MIX
(MILL SEAT BLEND)**

DESCRIPTION:

This item shall include providing grass seed to any point F.O.B. in Monroe County 24 hours of order.

MATERIAL REQUIREMENT:

Material shall meet the requirements of the New York State Department of Transportation Standard Specifications, Section 713, latest revision. All seed shall be entophyte enhanced for disease resistance. All germination testing shall be no more than six months from the date of purchase.

Grass seed shall meet the requirements below:

| NAME | % PER LB. |
|------------------------------------|-----------|
| Prelude II Perennial Ryegrass | 33% |
| Elf Perennial Ryegrass | 33% |
| Palmer II Perennial Ryegrass | 33% |
| Weed seed shall not exceed | 0.05% |
| Noxious seed shall not exceed | 0.0% |
| Crop seed shall not exceed | 0.0% |
| Inert matter shall not exceed | 1.5% |
| Germination shall not be less than | 90% |

METHOD OF MEASUREMENT:

The quantity of material to be paid for will be measured by the 50 pound bag.

BASIS OF BID:

The unit price bid solicited is per 50 lb. bag F.O.B. at any point in Monroe County within 24 hours of order.

BASIS OF PAYMENT:

Payment will be made under:

| Item No. | Description | Pay Unit |
|----------|--|------------|
| | Grass Seed – Quick Grow / Triple Perennial Ryegrass Mix (Mill Seat Blend) | 50 Lb. bag |

ITEM _____ HYDROSEED MULCH (CELLULOSE- PAPER)

DESCRIPTION:

This item shall include providing packaged bales of paper hydroseed mulch to any point F.O.B. in Monroe County within 24 hours of order.

MATERIAL REQUIREMENT:

Material shall meet the requirements of the New York State Department of Transportation Standard Specifications, Section 713, latest revision. The material shall be manufactured from recycled cellulose fibers and be 100% biodegradable, with a maximum moisture content of 14%. All mulch shall be free of all weed seeds, dyed in a dark green for easy metering, free of any growth inhibiting factors.

METHOD OF MEASUREMENT:

The quantity of material to be paid for will be measured by the pound.

BASIS OF BID:

The unit price bid solicited is per lb. F.O.B. at any point in Monroe County within 24 hours of order.

BASIS OF PAYMENT:

Payment will be made under:

| Item No. | Description | Pay Unit |
|-----------------|---|-----------------|
| | HYDROSEED MULCH (CELLULOSE- PAPER) | Lb. |

ITEM _____ HYDROSEED MULCH (WOOD AND CELLULOSE FIBER MIXTURE)

DESCRIPTION:

This item shall include providing packaged bales of a combination of wood and cellulose(paper) hydroseed mulch to any point F.O.B. in Monroe County within 24 hours of order.

MATERIAL REQUIREMENT:

Material shall meet the requirements of the New York State Department of Transportation Standard Specifications, Section 713, latest revision. The material shall be manufactured from recycled wood and cellulose fibers. The mixture shall contain 70% recycled wood fiber and 30% recycled paper products. The mixture shall be 100% biodegradable, with a maximum moisture content of 14%. All mulch shall be free of all weed seeds, dyed in a dark green for easy metering, free of any growth inhibiting factors.

METHOD OF MEASUREMENT:

The quantity of material to be paid for will be measured by the pound.

BASIS OF BID:

The unit price bid solicited is per Pound (lb.) F.O.B. at any point in Monroe County within 24 hours of order.

BASIS OF PAYMENT:

Payment will be made under:

| Item No. | Description | Pay Unit |
|-----------------|--|-----------------|
| | HYDROSEED MULCH (WOOD AND CELLULOSE FIBER MIXTURE)) | Lb. |

ITEM _____ HYDROSEED TACKIFIERS

DESCRIPTION:

This item shall include providing packaged containers of hydroseed tackifiers to any point F.O.B. in Monroe County within 24 hours of order.

MATERIAL REQUIREMENT:

Material shall meet the requirements of the New York State Department of Transportation Standard Specifications, Section 713, latest revision. The material shall be non- asphaltic in nature and contain polyacrylamide (PAM) copolymers and hydro-colloid polymers. The material shall contain a concentrated green dye for easy metering.

METHOD OF MEASUREMENT:

The quantity of material to be paid for will be measured by the Pound (lb.)

BASIS OF BID:

The unit price bid solicited is per lb F.O.B. at any point in Monroe County within 24 hours of order.

BASIS OF PAYMENT:

Payment will be made under:

| Item No. | Description | Pay Unit |
|-----------------|----------------------------|-----------------|
| | HYDROSEED TACKIFIER | Lb. |

ITEM _____ TURF LINE ICE MELTER

DESCRIPTION:

Provide Turf Line Ice Melter material F.O.B. to any point in Monroe County.

MATERIAL REQUIREMENT:

Ice Melter is used on sidewalks, driveways, steps, and parking lots and will not harm grass, shrubs, trees, walks and driveways. It can be used on hard packed snow and ice. It can be used to prevent sleet and freezing rain from accumulating on surfaces.

Do not use on precast concrete products. Do not use on concrete less than two years old. If concrete is porous or in bad condition this product could cause surface damage.

CONTENTS:

| | |
|--------------------|-------|
| Potassium Chloride | 98.8% |
| Sodium Chloride | 0.9% |
| Inert Ingredients | 0.03% |

METHOD OF MEASUREMENT:

Item shall be measured for payment by the 50 # bag. or by the pallet, a pallet shall be defined as 42 bags.

BASIS OF BID:

Unit price bid shall include all costs to furnish and deliver material F.O.B. to any point in Monroe County. Material shall be available at vendor's yard within 7 working days of order.

The cost of a pallet is to be included in the cost of the commodity. No pallet rental charges or any other pallet charges will be allowed or accepted.

BASIS OF PAYMENT:

Payment will be made under:

| Item No. | Description | Pay Unit |
|-----------------|----------------------|-----------------|
| | Turf Line Ice Melter | Bag |
| | Turf Line Ice Melter | Pallet |

ITEM _____ SUPER 5000 CONCRETE MIX

DESCRIPTION:

Provide Super 5000 Concrete Mix.

MATERIAL REQUIREMENT:

Material shall be Super 5000 Concrete Mix by Pakmix, or approved equal. The material shall have a minimum compressive strength of 5000 psi @ 28 days.

METHOD OF MEASUREMENT:

Material shall be measured for payment by the 80 lb. bag.

BASIS OF BID:

The unit price bid solicited is for F.O.B. at any point in Monroe County and shall be available at supplier's yard within 24 hours of receipt of order.

BASIS OF PAYMENT:

Payment will be made under:

| Item No. | Description | Pay Unit |
|-----------------|-------------------------|-----------------|
| | Super 5000 Concrete Mix | Bag |

ITEM _____ SPEEDCRETE RED LINE FAST SETTING CONCRETE

DESCRIPTION:

Provide Speedcrete Red Line fast setting concrete mix.

MATERIAL REQUIREMENT:

This is a fast setting high strength concrete used for patching bridge decks manufactured by Tamms Industries Co. The following compressive strengths are required (ASTM C-109):

| AGE | COMPRESSIVE STRENGTH |
|------------|-----------------------------|
| 1 HOUR | 150 PSI |
| 24 HOURS | 2,500 PSI |
| 7 DAYS | 4,300 PSI |
| 14 DAYS | 4,500 PSI |
| 28 DAYS | 5,000 PSI |

METHOD OF MEASUREMENT:

The quantity of material to be paid for shall be measured by the 50 pound bag.

BASIS OF BID:

The unit price bid solicited is for F.O.B. at any point in Monroe County and shall be available at supplier's yard within 24 hours of receipt of order.

BASIS OF PAYMENT:

Payment will be made under:

| Item No. | Description | Pay Unit |
|-----------------|---|-----------------|
| | Speedcrete Red Line Fast Setting Concrete | Bag |

ITEM _____ SPEEDCRETE GREEN LINE

DESCRIPTION:

Provide Speedcrete Green Line fast setting semi-flowable concrete mix.

MATERIAL REQUIREMENT:

This is a fast setting, semi-flowable, high strength patching material requiring only potable water for mixing. GREEN LINE achieves initial set in 6 – 15 minutes, and final set within 20 minutes. Repaired areas may be opened to traffic in approximately one hour following the final set.

METHOD OF MEASUREMENT:

The quantity of material to be paid for shall be measured by the 50 pound bag.

BASIS OF BID:

The unit price bid solicited is for F.O.B. at any point in Monroe County and shall be available at supplier's yard within 24 hours of receipt of order. No material substitute will be accepted for this product.

BASIS OF PAYMENT:

Payment will be made under:

| Item No. | Description | Pay Unit |
|-----------------|--------------------------------|-----------------|
| | Speedcrete Green Line Concrete | Bag |

ITEM _____ SPEEDCRETE BLUE LINE

DESCRIPTION:

Provide Speedcrete Blue Line fast setting concrete mix.

MATERIAL REQUIREMENT:

This is a fast setting micro concrete primarily intended for underwater concrete repairs with initial set obtained in 3-5 minutes, and final set in about one hour manufactured by Tamms Industries Co. The following compressive strengths are required:

- 24 hrs - 2000 psi
- 28 days - 5000 psi

METHOD OF MEASUREMENT:

The quantity of material to be paid for shall be measured by the 50 pound bag.

BASIS OF BID:

The unit price bid solicited is for F.O.B. at any point in Monroe County and shall be available at supplier's yard within 24 hours of receipt of order.

BASIS OF PAYMENT:

Payment will be made under:

| Item No. | Description | Pay Unit |
|-----------------|----------------------|-----------------|
| | Speedcrete Blue Line | Bag |

ITEM _____ PLASTIC SAFETY FENCING

DESCRIPTION:

Provide recycled plastic safety fencing material F.O.B. to any point in Monroe County.

MATERIAL REQUIREMENT:

Material shall be plastic netting made from UV stabilized high-density polyethylene. It shall be provided in 4 ft. X 50 ft. rolls. Weight shall be 38 lbs/roll. Color shall be orange. Porosity shall be 50%. Other characteristics shall be as follows:

| | | |
|-----------------------------|---------------------|-------------------|
| Tensile Strength Yield | Horizontal 3190 psi | Vertical 3840 psi |
| Ultimate Tensile Strength | Horizontal 2200 psi | Vertical 2600 psi |
| Strength Elongated at Break | Horizontal 90% | Vertical 260% |

Material supplied will be equal to above listing, any deviation must be noted in proposal section with bid price. Delivery will be within 14 days of order.

METHOD OF MEASUREMENT:

The material shall be measured for payment by the roll.

BASIS OF BID:

The unit price bid shall include all costs to furnish and deliver material F.O.B. to any point in Monroe County within 14 days of order.

BASIS OF PAYMENT:

Payment will be made under:

| Item No. | Description | Pay Unit |
|-----------------|---------------------------------|-----------------|
| | Recycled Plastic Safety Fencing | Roll |

ITEM _____ POLYETHYLENE SNOW FENCE

DESCRIPTION:

Provide polyethylene snow fence material delivered to various locations within Monroe County.

MATERIAL REQUIREMENT:

Material shall be High-Density Polyethylene black, orange or forest green in color .

Roll width shall be 4' and roll length shall be 100'.

Mesh size shall be 1.25" (Horizontal) X 3.25" (Vertical).

Tensile Yield shall be 320 psi.

Ultimate Tensile Yield shall be 370 lbs/Ft.

Elongation @ Break Point 150%

METHOD OF MEASUREMENT:

The material shall be measured for payment by the roll.

BASIS OF BID:

Material supplied shall be ready for pickup or delivered within 14 days of order.

BASIS OF PAYMENT:

Payment will be made under:

| Item No. | Description | Pay Unit |
|-----------------|-------------------------|-----------------|
| | Polyethylene Snow Fence | Roll |

ITEM _____ TRAFFIC SIGN POSTS (SQUARE TUBING)

DESCRIPTION:

Provide traffic sign posts F.O.B. to any point in Monroe County.

MATERIAL REQUIREMENT:

The steel posts furnished under this specification shall conform to the standard specification for cold-rolled carbon steel sheets, commercial quality ASTM designation A-366.

The cross section of the post shall be a square tube formed of 12 gauge (.105 United States Standard gauge) steel, carefully rolled to size and welded in the corner.

Post shall be of one or more of the following sizes as called for on the purchase order:

| Post Measurement | Gauge | Weight per Foot (pound) | *Hole Diameter | Post Length |
|-------------------------|--------------|--------------------------------|-----------------------|--------------------|
| 1 3/4" X 1 3/4" | 12 | 2.060 | 7/16" | 10' |
| 2" X 2" | 12 | 2.416 | 7/16" | 10' |
| 2 1/4" X 2 1/4" | 12 | 2.773 | 7/16" | 3' |

***Holes spaced one inch on centers on all four sides for the entire length of the post.**

The furnished member shall be straight and shall have a smooth uniform finish. It shall be possible to telescope consecutive sizes of tubes freely with a minimum amount of play. All holes and cut off ends shall be free from burrs.

All posts shall be weather protected by galvanizing. Posts shall be formed from cold-rolled steel strip which has been zinc coated, commercial quality (1.25 oz.) conforming to ASTM Specifications A-93.

Material supplied will be equal to above listing; any deviation will be noted in proposal section with bid price. Delivery will be within 14 days of order.

PACKAGING & DELIVERY:

The posts shall be securely steel banded in bundles of twenty-five (25) posts. Delivery of the materials shall be transported on a flatbed truck in order for the agency to unload the materials. The contractor shall be responsible for the unloading of all materials not transported in this manner.

METHOD OF MEASUREMENT:

The material shall be measured for payment by the post.

ITEM _____ TRAFFIC SIGN POSTS (SQUARE TUBING)

BASIS OF BID:

The unit price bid shall include all costs to furnish and deliver the material F.O.B. to any point in Monroe County.

BASIS OF PAYMENT:

Payment will be made under:

| Description (Post Measurement) | Pay Unit |
|---|-----------------|
| Traffic Sign Post (Square Tubing) 1 3/4" x 1 3/4" x 10' | Each |
| Traffic Sign Post (Square Tubing) 2" x 2" x 10' | Each |
| Traffic Sign Post (Square Tubing) 2 1/4" x 2 1/4" x 3' | Each |

ITEM _____ GREEN CHANNEL POSTS

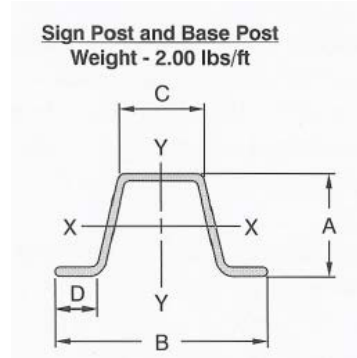
DESCRIPTION:

Provide Green Channel posts F.O.B. to any point in Monroe County.

MATERIAL REQUIREMENT:

The cross section of the steel posts shall be a flanged channel T bar type weighing 2 #/foot formed from 12 gauge (0.105 United States Standard gauge) steel. These posts shall be rolled from material meeting the mechanical properties of ASTM designation A499-64. The posts shall have 3/8" diameter holes at 1" center for the full length of each 10' post. The furnished member shall be straight and shall have a smooth uniform finish. All holes and cut off ends shall be free from burrs.

Post must be painted with all-weather resistant high quality dark green enamel.



| Flanged Channel Properties | | | | | | | | | |
|----------------------------|------------|-------|-------|------|-------------------------|---------------------|---------------------|---------------------|---------------------|
| Weight #Lbs/Ft | Dimensions | | | | Area IN ² | X - X Axis + | | Y - Y Axis | |
| | "A" | "B" | "C" | "D" | | I(IN ⁴) | S(IN ³) | I(IN ⁴) | S(IN ³) |
| 2.00 | 1.516 | 3.125 | 1.250 | .625 | .59 | .18 | .23 | .42 | .27 |

Material supplied will be equal to above listing; any deviation will be noted in proposal section with bid price. Delivery will be within 14 days of order.

PACKAGING & DELIVERY:

The posts shall be securely steel banded in bundles of twenty-five (25) posts. Delivery of the materials shall be transported on a flatbed truck in order for the agency to unload the materials. The contractor shall be responsible for the unloading of all materials not transported in this manner.

METHOD OF MEASUREMENT:

The material shall be measured for payment by the post.

BASIS OF BID:

The unit price bid shall include all costs to furnish and deliver the material F.O.B. to any point in Monroe County.

BASIS OF PAYMENT:

Payment will be made under:

| Item No. | Description | Pay Unit |
|----------|---------------------|----------|
| | Green Channel Posts | Each |

ITEM _____ **ALUMINUM SIGN BLANKS**

DESCRIPTION:

Provide Aluminum Sign Blanks F.O.B. to any point in Monroe County.

MATERIAL REQUIREMENT:

The sign blanks are to be made of 100% recycled aluminum, of sizes asked for. Blanks shall be commercially flat, free from oils, grease, dust, oxidation or any other substances. Blanks are to be ready for adhesion of NYS Specification Reflective Sign sheeting. These blanks are to be used in the fabrication of traffic signs.

Base Metal: 100%: Recycled Aluminum.

Thickness: .080 unless otherwise specified. Some blanks .063 will be required as noted.

Holes: All holes are to be punched 7/16" diameter unless otherwise noted

Testing: The material shall meet the requirements of ASTM B449.

NOTE; The Aluminum Blanks shall be free of any Trade Marks, markings or logos. The First dimension is always horizontal unless otherwise noted. All blanks are to be manufactured per US Bureau of Public Roads Standards. Blanks shall have 1-1/2" radius corners in accordance with the federal Manual on Uniform Traffic Control Devices (latest edition) and the federal Standard Highway Signs and Markings Book. Blanks are to be e- chemically treated to meet ASTM B449 specifications as pretreated for paint or reflective sheeting. Corners and holes are to be burr free. Shipment will be refused or returned at vender's expense in the event the above listed conditions are not met. Drawings provided.

METHOD OF MEASUREMENT:

The material shall be measured for payment by the Sign Blank

BASIS OF BID:

The unit price bid shall include all costs to furnish and deliver the material F.O.B. to any point in Monroe County.

DELIVERIES: Deliveries are to be F.O.B. destination as specified by purchase order. All deliveries must be completed within thirty (30) days after receipt of order. Blanks are to be shipped via covered flatbed truck for side off-loading. Vender must contact department representative, Jim Lorenzo or designee at least 24 hours in advance of all deliveries at (585) 753-7846. Deliveries will only be accepted after inspection and between the hours of 9:00 AM and 2:00 PM week days only.

ITEM _____ **ALUMINUM SIGN BLANKS**

SHIPPING: All blanks are to be shipped on pallets with minimum 250pcs to maximum 500 pcs on each pallet. All pallets shall be 28’’ wide with 3-1/2’’ ground clearance. No pallet shall exceed 2000 lbs.

BASIS OF AWARD:

There will be one award for all the sign blanks. The bid will be awarded to the bidder with the lowest multiplier. Bidders shall only submit a single multiplier. Deletion or changes to items listed or scheduled unit prices will be cause for rejection of the bid.

The multiplier will be applied to each of the scheduled values for the award and contract pricing.

Unit Price: The option multiplier price bid shall be applied to the scheduled payment item prices contained in the proposal. **Do not show percentages to show the multiplier.** Any bid showing percentages will be rejected. **The multiplier shall be submitted to 4 decimal places.** (example 0.xxxx or 1.xxxx)

BASIS OF PAYMENT:

Payment will be made under:

| Description | Thickness (inches) | Pay Unit |
|--|--------------------|----------|
| Aluminum Sign Blank – 12’’ X 18’’ (2 holes) | .063 | Each |
| Aluminum Sign Blank – 8’’ X 24’’ (0 holes) | .063 | Each |
| Aluminum Sign Blank – 8’’ X 24’’ (4 holes) | .063 | Each |
| Aluminum Sign Blank - 8’’ X 30’’ (0 holes) | .063 | Each |
| Aluminum Sign Blank - 8’’ X 30’’ (2 holes) | .063 | Each |
| Aluminum Sign Blank - 8’’ X 30’’ (4 holes) | .063 | Each |
| Aluminum Sign Blank – 30’’ Octagon (2 holes) | .080 | Each |
| Aluminum Sign Blank – 36’’ Octagon (2 holes) | .080 | Each |
| Aluminum Sign Blank - 12’’ X 24’’ (2 holes) | .080 | Each |
| Aluminum Sign Blank – 12’’ x 30’’ (2 holes) | .080 | Each |
| Aluminum Sign Blank – 18’’ X 18’’ (4 holes) | .080 | Each |
| Aluminum Sign Blank – 24’’ X 24’’ (4 holes) | .080 | Each |
| Aluminum Sign Blank – 24’’ X 30’’ (2 holes) | .080 | Each |
| Aluminum Sign Blank – 24’’ X 36’’ (2 holes) | .080 | Each |
| Aluminum Sign Blank – 30’’ X 36’’ (4 holes) | .080 | Each |
| Aluminum Sign Blank – 30’’ X 30’’ (4 holes) | .080 | Each |
| Aluminum Sign Blank – 36’’ X 36’’ (4 holes) | .080 | Each |
| Aluminum Sign Blank – 12’’ X 36’’ (4 holes) | .080 | Each |
| Aluminum Sign Blank – 18’’ X 36’’ (4 holes) | .080 | Each |
| Aluminum Sign Blank – 12’’ X 36’’ (0 holes) | .080 | Each |
| Aluminum Sign Blank – 12’’ X 42’’ (0 holes) | .080 | Each |
| Aluminum Sign Blank – 12’’ X 48’’ (0 holes) | .080 | Each |
| Aluminum Sign Blank – 12’’ X 54’’ (0 holes) | .080 | Each |
| Aluminum Sign Blank – 12’’ X 60’’ (0 holes) | .080 | Each |
| Aluminum Sign Blank – 12’’ X 72’’ (0 holes) | .080 | Each |
| Aluminum Sign Blank – 24’’ X 48’’ (6 holes) | .080 | Each |

ITEM _____ STEEL SNOW FENCE POSTS

DESCRIPTION:

Provide steel snow fence posts F.O.B. to any point in Monroe County.

MATERIAL REQUIREMENT:

Post will be T bar type with a weight of at least 1.7 lbs. per foot. Post must be painted and 6 feet in length. The spade shall be attached at least 12 in. from the bottom of the post.

Material supplied will be equal to above listing, any deviation will be noted in proposal section with bid price. Delivery will be within 14 days of order.

METHOD OF MEASUREMENT:

The material shall be measured for payment by the post.

BASIS OF BID:

The unit price bid shall include all costs to furnish and deliver the material F.O.B. to any point in Monroe County.

BASIS OF PAYMENT:

Payment will be made under:

| Item No. | Description | Pay Unit |
|-----------------|------------------------|-----------------|
| | Steel Snow Fence Posts | Each |

ITEM _____ CALCIUM CHLORIDE

DESCRIPTION:

This item shall consist of furnishing and delivering bags of calcium chloride to any point in Monroe County.

MATERIAL REQUIREMENT:

Material shall meet the requirements of the New York State Department of Transportation Standard Specifications, Section 712.02, latest revision.

METHOD OF MEASUREMENT:

The material shall be measured for payment by the pound as supplied in 50 # bags.

BASIS OF BID:

The unit price bid shall include all costs to furnish and deliver the material F.O.B. to any point in Monroe County.

BASIS OF PAYMENT:

Payment will be made under:

| Item No. | Description | Pay Unit |
|-----------------|--------------------|-----------------|
| | Calcium Chloride | 50 # bags |

ITEM _____ GEOTEXTILE BEDDING FABRIC

DESCRIPTION:

Provide geotextile erosion control fabric material for bedding F.O.B. to any point in Monroe County.

MATERIAL REQUIREMENT:

Material shall meet the requirements of the New York State Department of Transportation Standard Specifications, Section 207, Item 207.10 Geotextile Bedding, latest revision. The material shall appear on the NYSDOT Materials Approved List of Geosynthetics for Highway Construction.

Unless otherwise specified, the material strength classification requested shall be Strength Class 1 as noted on the aforementioned Approved List. In addition, 200 – 6” metal Indian Valley (or approved equal) staples shall be supplied with every roll (900 sf) of fabric provided.

METHOD OF MEASUREMENT:

The material shall be measured for payment by the square foot provided.

BASIS OF BID:

The unit price bid per square foot shall include all costs to furnish and deliver the material F.O.B to any point in Monroe County within 24 hours. The bidder shall specify the product name that is intended to be supplied.

A separate award will be made for each product which meets the specification

BASIS OF PAYMENT:

Payment will be made under:

| Item No. | Description | Pay Unit |
|-----------------|---------------------------|-----------------|
| | Geotextile Bedding Fabric | SF |

ITEM _____ GEOTEXTILE UNDERCUT SEPARATION FABRIC

DESCRIPTION:

Provide geotextile undercut separation fabric material F.O.B. to any point in Monroe County.

MATERIAL REQUIREMENT:

Material shall meet the requirements of the New York State Department of Transportation Standard Specifications, Section 207, Item 207.11 Geotextile Separation, latest revision. The material shall appear on the NYSDOT Materials Approved List of Geosynthetics for Highway Construction.

Unless otherwise specified, the material strength classification requested shall be Strength Class 2 as noted on the aforementioned Approved List.

METHOD OF MEASUREMENT:

The material shall be measured for payment by the square foot provided.

BASIS OF BID:

The unit price bid per square foot shall include all costs to furnish and deliver the material F.O.B to any point in Monroe County within 24 hours. The bidder shall specify the product name that is intended to be supplied.

A separate award will be made for each product which meets the specification

BASIS OF PAYMENT:

Payment will be made under:

| Item No. | Description | Pay Unit |
|-----------------|---------------------------------------|-----------------|
| | Geotextile Undercut Separation Fabric | SF |

ITEM _____ BIAXIAL GEOGRID BASE REINFORCEMENT MATERIAL

DESCRIPTION:

Provide a Biaxial Geogrid Base material composed of high strength polypropylene geogrid material. The product shall be capable of improving the distribution of applied loads and prevent localized shear failure. F.O.B. to any point in Monroe County.

MATERIAL REQUIREMENT:

Geogrid base reinforcement shall be a stiff, structural polypropylene biaxial geogrid similar to Carthage Mills Tenaz MS-220 or Tensar BX 1100 or equivalent.

The material shall conform to the following property requirements.

| PROPERTY | TEST METHOD | UNITS | REQUIREMENTS |
|---|--|--|---|
| <i>Interlock</i> Aperture Size ¹ MD TD Open Area Thickness Ribs Junctions | I.D. Callipered COE Method ² ASTM D1777-64 | in in % in in | 1.0-1.7 1.3-1.2 70 (min) 0.034 (nom) 0.11 (nom) |
| <i>Reinforcement</i> Flexural Rigidity Ultimate Strength MD TD Tensile Modulus @2% Tensile Modulus @5% Junctions Strength; MD | ASTM D1388-64 ³ GRI GG1-87 ⁴ GRI GG1-87 ⁴ GRI GG1-87 ⁴ GRI GG2-87 ⁴ | Mg-cm lb/ft lb/ft lb/ft lb/ft lb/ft | 250,000 800-900 1400 15,000 (MD) 22,269 (TD) 17800 (TD) 750-850 |
| <i>Material</i> Polypropylene Carbon Black | ASTM D 4101 Group 1/Class 1/Grade 2 ASTM 4218 | % % | 98 (min) 0.5 (min) |

1. MD and TD correspond to the dimensions along roll length and roll width, respectively
2. Corps of Engineers method per CW 02215 Civil Works Construction Guide, November 1977
3. Modify method to account for wide specimen testing
4. GeoSynthetic Research Institute test method.

ITEM _____ BIAXIAL GEOGRID BASE REINFORCEMENT MATERIAL

METHOD OF MEASUREMENT:

The material shall be measured for payment by the square foot provided.

BASIS OF BID:

The unit price bid per square foot shall include all costs to furnish and deliver the material F.O.B to any point in Monroe County within 24 hours. The bidder shall specify the product name that is intended to be supplied.

A separate award will be made for each product which meets the specification

BASIS OF PAYMENT:

Payment will be made under:

| Item No. | Description | Pay Unit |
|-----------------|-------------------------------------|-----------------|
| | Geogrid Base Reinforcement Material | SF |

ITEM _____ GEOTEXTILE DRAINAGE FABRIC

DESCRIPTION:

Provide geotextile filter fabric material for drainage F.O.B. to any point in Monroe County.

MATERIAL REQUIREMENT:

Material shall meet the requirements of the New York State Department of Transportation Standard Specifications, Section 207, Item 207.12 Geotextile Drainage, latest revision. The material shall appear on the NYSDOT Materials Approved List of Geosynthetics for Highway Construction.

Unless otherwise specified, the material strength classification requested shall be Strength Class 2 as noted on the aforementioned Approved List.

METHOD OF MEASUREMENT:

The material shall be measured for payment by the square foot provided.

BASIS OF BID:

The unit price bid per square foot shall include all costs to furnish and deliver the material F.O.B to any point in Monroe County. The bidder shall specify the product name that is intended to be supplied.

A separate award will be made for each product which meets the specification

BASIS OF PAYMENT:

Payment will be made under:

| Item No. | Description | Pay Unit |
|-----------------|----------------------------|-----------------|
| | Geotextile Drainage Fabric | SF |

ITEM _____ EROSION CONTROL SILT FENCE

DESCRIPTION:

Provide erosion control silt fence material F.O.B. to any point in Monroe County.

MATERIAL REQUIREMENT:

Material shall meet the requirements of the New York State Department of Transportation Standard Specifications, Section 209, Item 209.13 Temporary Silt Fence, latest revision. The material shall appear on the NYSDOT Materials Approved List of Geosynthetics for Highway Construction, and shall include pre-assembled hardwood stakes at a minimum 4' on center.

METHOD OF MEASUREMENT:

The material shall be measured for payment by the linear foot of 3-foot high silt fence provided.

BASIS OF BID:

The unit price bid per linear foot shall include all costs to furnish and deliver the material F.O.B to any point in Monroe County. The bidder shall specify the product name that is intended to be supplied.

A separate award will be made for each product which meets the specification

BASIS OF PAYMENT:

Payment will be made under:

| Item No. | Description | Pay Unit |
|-----------------|----------------------------|-----------------|
| | Erosion Control Silt Fence | LF |

ITEM _____ TURBIDITY CURTAIN

DESCRIPTION:

Provide turbidity curtain F.O.B. to any point in Monroe County within 24 hours of order.

MATERIAL REQUIREMENT:

Material shall meet the requirements of the New York State Department of Transportation Standard Specifications, Section 209, Item 209.15, latest revision. The material shall appear on the NYSDOT Materials Approved List of Geosynthetics for Highway Construction.

METHOD OF MEASUREMENT:

The material will be measured for payment by the square foot

BASIS OF BID:

The unit price bid per square foot shall include all costs to furnish and deliver the material F.O.B to any point in Monroe County within 24 hours. The bidder shall specify the product name that is intended to be supplied.

A separate award will be made for each product which meets the specification

BASIS OF PAYMENT:

Payment will be made under:

| Item No. | Description | Pay Unit |
|-----------------|--------------------|-----------------|
| | Turbidity Curtain | SF |

ITEM _____ SEDIMENT FILTRATION MAT

DESCRIPTION:

Provide erosion control sediment filtration material F.O.B. to any point in Monroe County.

MATERIAL REQUIREMENT:

Material shall meet the requirements of the IVI Sedimat, or approved equal, suitable for filtering sediment-laden stream flows.

METHOD OF MEASUREMENT:

The material shall be measured for payment by the square foot of material provided.

BASIS OF BID:

The unit price bid per square foot shall include all costs to furnish and deliver the material F.O.B to any point in Monroe County with 24 hours. The bidder shall specify the product name that is intended to be supplied.

A separate award will be made for each product which meets the specification

BASIS OF PAYMENT:

Payment will be made under:

| Item No. | Description | Pay Unit |
|-----------------|-------------------------|-----------------|
| | Sediment Filtration Mat | SF |

ITEM _____ SILT FILTRATION BAG

DESCRIPTION:

Provide erosion control silt filtration bag units F.O.B. to any point in Monroe County.

MATERIAL REQUIREMENT:

Material shall meet the requirements of the IVI Silt Filtration Bag, or approved equal, capable of filtering pumped water discharged from a 4" to 6" hose.

METHOD OF MEASUREMENT:

The material shall be measured for payment by the quantity of units provided.

BASIS OF BID:

The unit price bid per each shall include all costs to furnish and deliver the material F.O.B to any point in Monroe County. The bidder shall specify the product name that is intended to be supplied.

A separate award will be made for each product which meets the specification

BASIS OF PAYMENT:

Payment will be made under:

| Item No. | Description | Pay Unit |
|-----------------|---------------------|-----------------|
| | Silt Filtration Bag | EA |

ITEM _____ GEOTEXTILE SLOPE PROTECTION - TEMPORARY

DESCRIPTION:

Provide geotextile slope protection material F.O.B. to any point in Monroe County.

MATERIAL REQUIREMENT:

Material shall meet the requirements of the New York State Department of Transportation Standard Specifications, Section 207, Item 207.13 Geotextile Slope Protection, latest revision. The material shall appear on the NYSDOT Materials Approved List of either Geosynthetics for Highway Construction or Erosion Control Products.

Unless otherwise specified, the material strength classification requested shall be Strength Class 3 as noted on the aforementioned Approved Lists.

METHOD OF MEASUREMENT:

The material shall be measured for payment by the square foot provided.

BASIS OF BID:

The unit price bid per square foot shall include all costs to furnish and deliver the material F.O.B to any point in Monroe County. The bidder shall specify the product name that is intended to be supplied.

A separate award will be made for each product which meets the specification

BASIS OF PAYMENT:

Payment will be made under:

| Item No. | Description | Pay Unit |
|-----------------|---|-----------------|
| | Geotextile Slope Protection - Temporary | SF |

ITEM _____ GEOTEXTILE SLOPE PROTECTION - PERMANENT

DESCRIPTION:

Provide geotextile slope protection material F.O.B. to any point in Monroe County.

MATERIAL REQUIREMENT:

Material shall meet the requirements of the New York State Department of Transportation Standard Specifications, Section 207, Item 207.13 Geotextile Slope Protection, latest revision. The material shall appear on the NYSDOT Materials Approved List of Geosynthetics for Highway Construction.

Unless otherwise specified, the material strength classification requested shall be Strength Class 1 as noted on the aforementioned Approved List.

METHOD OF MEASUREMENT:

The material shall be measured for payment by the square foot provided.

BASIS OF BID:

The unit price bid per square foot shall include all costs to furnish and deliver the material F.O.B to any point in Monroe County. The bidder shall specify the product name that is intended to be supplied.

A separate award will be made for each product which meets the specification

BASIS OF PAYMENT:

Payment will be made under:

| Item No. | Description | Pay Unit |
|-----------------|---|-----------------|
| | Geotextile Slope Protection - Permanent | SF |

ITEM _____ CENTERLINE DELINEATORS

DESCRIPTION:

The following spec is for temporary chip seal markers made by Apex Universal Inc. or approved equal.

MATERIAL REQUIREMENT:

The markers body shall be made of yellow polyurethane. The vertical section shall be two inches high and four inches wide. The vertical section shall have reflective tape on both sides with a minimum reflectance of 1800 candle power per foot-candle per square foot at one tenth observation and zero entrance angle. The reflective tape shall be fully protected from oil and dirt by a sealed clear plastic removable cover. The base shall have a factory applied solid butyl rubber adhesive for bonding the marker to pavement. The adhesive shall be 1/8 " thick, 3/4" wide, 4" long and shall be protected by a release paper.

Packaging

They units shall be delivered in boxes or multiple boxes with a quantity of 500 in each box.

BASIS OF BID:

The basis of bid shall be a box quantity totaling 500 units. The bid price should include delivery of each box to any point in Monroe County.

BASIS OF PAYMENT:

Payment will be made under:

| Item No. | Item Description | Pay Unit |
|-----------------|---------------------------------|-----------------|
| | Centerline Delineators (500 ct) | Box |

ITEM _____ SPEEDCRETE 2028

DESCRIPTION:

Provide SPEEDCRETE2028 material

MATERIAL REQUIREMENT:

This is a material used for making concrete repairs and shall be Set-45 Concrete, as manufactured by Master Builders or approved equal. Setting time @ 95 deg. F. should be:

- initial - 10 to 15 minutes
- final - 12 to 20 minutes

METHOD OF MEASUREMENT:

The quantity of material to be paid for shall be measured by the 50 pound bag.

BASIS OF BID:

The material shall be available at supplier's yard within 24 hours of receipt of order. The unit price bid solicited is for F.O.B. at any point in Monroe County within twenty-four hours of receipt of order. No substitute material will be accepted.

BASIS OF PAYMENT:

Payment will be made under:

| Item No. | Description | Pay Unit |
|-----------------|--------------------|-----------------|
| | SPEEDCRETE2028 | Bag |

ITEM _____ BITUTHENE 4000 MEMBRANE WATERPROOFING

DESCRIPTION:

This item shall consist of furnishing and delivering Bituthene 4000 membrane waterproofing or approved equal to any point in Monroe County.

MATERIAL REQUIREMENT:

Material shall be Bituthene System 4000 Waterproofing Membrane as manufactured by W. R. Grace or approved equal.

METHOD OF MEASUREMENT:

The material shall be measured for payment by the square foot, as provided in 3' X 60' rolls.

BASIS OF BID:

The unit price bid shall include all costs to furnish and deliver the material F.O.B. to any point in Monroe County. The material shall be available at supplier's yard within 24 hours of receipt of order.

BASIS OF PAYMENT:

Payment will be made under:

| Item No. | Description | Pay Unit |
|-----------------|---|-----------------|
| | Bituthene System 4000 Waterproofing Membrane Or approved equal | SF |

ITEM _____ BITUTHENE P-3000 PRIMER

DESCRIPTION:

Provide Bituthene P-3000 Primer or approved equal F.O.B. to any point in Monroe County.

MATERIAL REQUIREMENT:

Material shall be Bituthene P-3000 Primer as manufactured by W. R. Grace, and be compatible with Bituthene System 4000 Waterproofing Membrane or approved equal. The material shall be provided in 5 gallon containers.

METHOD OF MEASUREMENT:

The material will be measured for payment by the gallon.

BASIS OF BID:

The unit price bid shall include all costs to furnish and deliver the material F.O.B. to any point in Monroe County. The material shall be available at supplier's yard within 24 hours of receipt of order.

BASIS OF PAYMENT:

Payment will be made under:

| Item No. | Description | Pay Unit |
|-----------------|---|-----------------|
| | Bituthene P-3000 Primer or approved equal | Gallon |

ITEM _____ WOVEN POLYETHYLENE NYLON SHEETS

DESCRIPTION:

Provide woven nylon reinforced polyethylene sheets.

MATERIAL REQUIREMENT:

This material shall be heavy duty 6 mil thickness.

METHOD OF MEASUREMENT:

The quantity of material shall be measured and supplied in rolls of 20' x 100'.or 40'x100'.

BASIS OF BID:

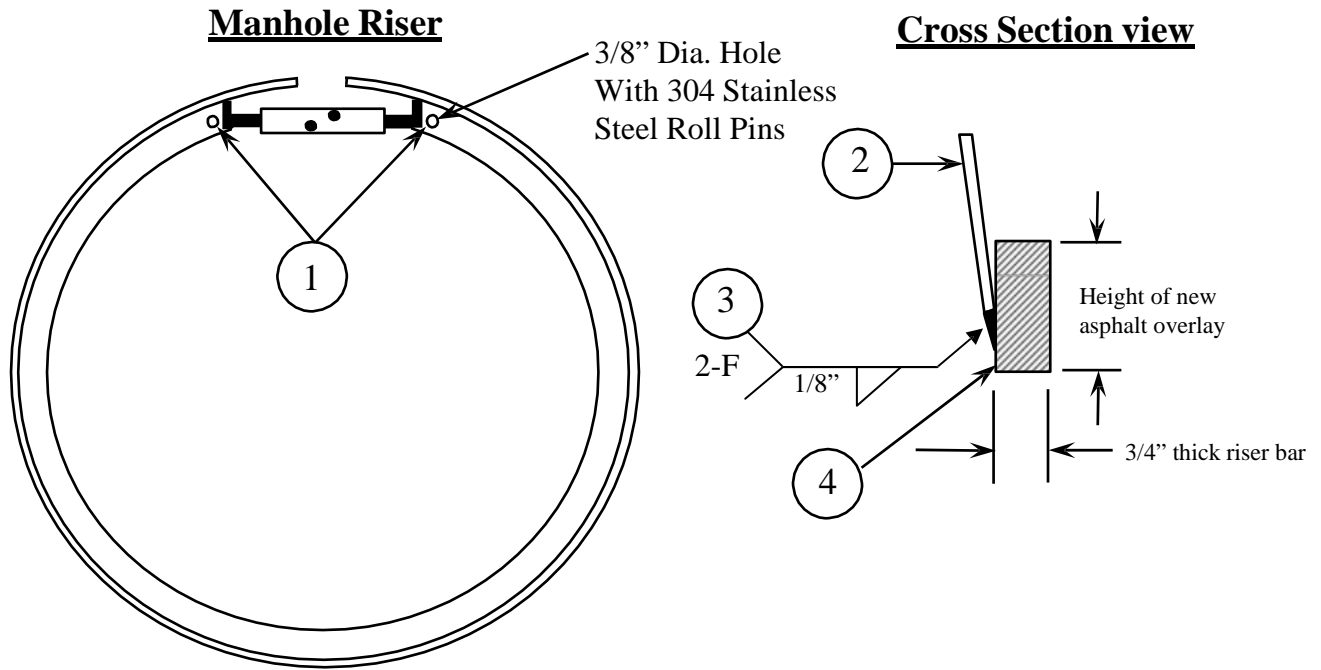
The unit price bid solicited is for F.O.B. at any point in Monroe County. The material shall be available at supplier's yard within 24 hours of receipt of order.

BASIS OF PAYMENT:

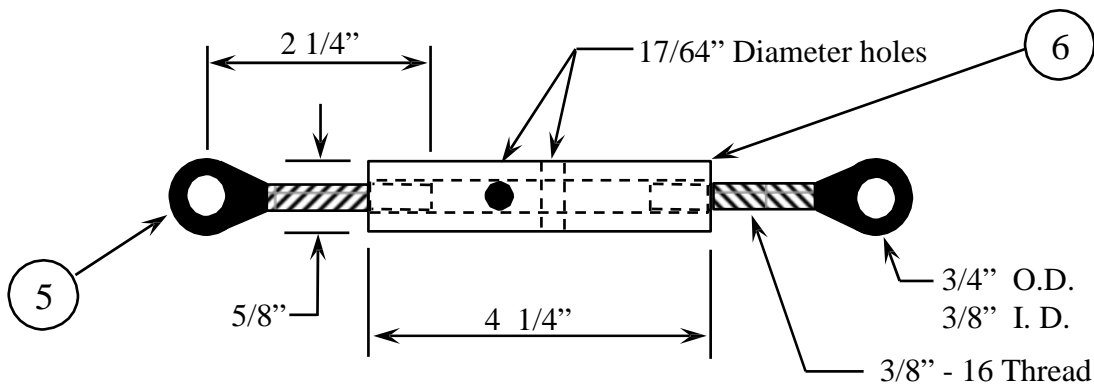
Payment will be made under:

| Item No. | Description | Pay Unit |
|-----------------|---------------------------------------|-----------------|
| | Woven Polyethylene Sheets(20' x 100') | Roll |
| | Woven Polyethylene Sheets(40' x 100') | Roll |

Pivoted Turnbuckle Manhole Riser



Pivoted Turnbuckle Expanding Linkage



| Item Number | Item Description | Material Description | Tensile Yield | Tensile Ultimate |
|-------------|---------------------|---|---------------|------------------|
| 1 | 3/8" Roll Pins | 304 Stainless Steel (14,000 LB Double Sheer Strength) | | |
| 2 | Steel Skirt | 12 or 10 gage A.I.S.I. 1020 Steel (A-36) G-90 Galvanized | 33,000 P.S.I. | 60,000 P.S.I. |
| 3 | Weld | Full circumference welded except on clamp area Lincoln Electric .045 71M Elite Outer Shield Flux Cored | 75,000 P.S.I. | 85,000 P.S.I. |
| 4 | 3/4" wide Riser Bar | Hot Rolled Steel A.I.S.I. 1020 (A-36) | 33,000 P.S.I. | 60,000 P.S.I. |
| 5 | Rod Ends | Forging A.I.S.I. C-1030 Steel Heat Treated BHN 240 Zinc Plated with Dichromate Finish | 70,000 P.S.I. | 92,000 P.S.I. |
| 6 | Turnbuckle | A.I.S.I. 12L14 Steel Cold Drawn Zinc Plated with Yellow Dichromate Finish dipped in Linebacker rust inhibitor | 60,200 P.S.I. | 78,300 P.S.I. |

ITEM _____ PREFABRICATED STEEL ADJUSTMENT RINGS FOR MANHOLES:

MATERIAL REQUIREMENTS

The material specifications shall conform with Section 604-2.04 of the New York State Specifications, where applicable, to supply A -36 steel Manhole Adjustment Rings (Heavy Duty) or approved equal.

See Attached the detail

UNIT PRICE BID

The unit price bid shall be for each, including all costs of furnishing and delivering the material to any point in Monroe County for the quantity of units as specified.

DELIVERY

F.O.B. any point in Monroe County within 30 days of receipt of order.

BASIS OF PAYMENT:

Payment will be made under:

| Item No. | Description | Pay Unit |
|-----------------|--------------------------------------|-----------------|
| | Prefabricated Steel Adjustment Rings | Each |

ITEM POLYETHYLENE PIPE PRODUCTS BY ADVANCED DRAINAGE SYSTEM (ADS)

SCOPE

This specification covers the material and quality requirements for furnishing and delivery of polyethylene fittings manufactured by Advanced Drainage System.

MATERIAL REQUIREMENTS

The material shall meet the requirements of NYSDOT Standard Specifications Section 706 latest revision.

BASIS OF BID:

The unit bid price shall be for any requested amount of polyethylene fittings needed during the contract period delivered; including all delivery costs to anywhere in Monroe County within 14 days.

Bid prices will be requested for saddle T's, snap T's and adapters to be available at each unit cost.

Delivery

All requested fittings shall to be delivered within 14 days of the order, with deliveries scheduled to arrive at point of destination between the hours of 8:00 A.M. and 3:00 P.M., Monday through Friday excluding holidays.

Basis of Award

The award will be based on the price bid for each size fitting .

ITEM _____ PVC DRAIN BASINS AND COMPONENTS

DESCRIPTION

Provide PVC drain basin and components F.O.B. to any point in Monroe County.

MATERIAL REQUIREMENTS

The material requirements for the Drain Basin shall be manufactured from PVC pipe stock meeting SDR 35, utilizing a thermomolding process to reform the pipe stock to the finished configuration. The drainage pipe connections stubs shall be manufactured from PVC pipe stock and formed to provide a watertight connection with the piping system. The basin to be available with 12" and 6" adapters for connection with 12" and 6" corrugated polyethylene pipe (smooth bore or tubing) (to be specified at the time of order). The drain basin shall be as manufactured by Nyloplast USA, Inc. or approved equal. The 12" grate shall be made of cast iron and capable of supporting a H-20 loading with the standard grate. Metal used in the manufacture of the casting shall conform to ASTM A-48 Class 30B for cast iron. The casting shall be furnished with a black paint. Drain basin shall conform to the attached detail.

UNIT PRICE BID

The unit price bid shall be for each unit, including all cost of furnishing and delivering the unit F.O.B. to any point in Monroe County within 14 days of receipt of order.

BASIS OF PAYMENT:

Payment will be made under:

| Item No. | Description | Pay Unit |
|-----------------|--|-----------------|
| | 12" PVC Drain Basin | Each |
| | 12" Cast Iron Frame and Hinged Grate | Each |
| | 12" PVC Drain Basin and Cast Iron Frame and Hinged Grate | Each |

ITEM ____ ORGANIC SNOW AND ICE CONTROL PRODUCTS

DESCRIPTION:

It shall be the purpose and intent of this award to make available to end users a variety of snow/ice control agents available in the marketplace and suitable for their intended use.

Products available under this award are required to meet the specifications and requirements contained herein. Users should note that the products offered by various vendors under this award are not identical. Like other commodities each offered product will have its own unique set of properties. They may vary in many areas including color, composition, and performance and cost to name a few. It is therefore incumbent on the users of these materials to attempt to select a cost effective products that best suits the circumstances of usage anticipated.

The vendors of these materials are a valuable resource of technical assistance and information regarding the products they offer. End users of this award are strongly encouraged to contact the various vendors of these materials and request technical advice and information to aid in selection of appropriate product, proper usage of that product and/or resolution of any problems encountered during usage.

MATERIAL REQUIREMENT:

The material shall be suitable for stockpile treatment of salt with a de-icing liquid comprised of organic based performance enhancer by itself or a blend of OBPE with a chloride brine as indicated on the bid sheet. The deicing materials when mixed with rock salt or a combination of rock salt and sand shall demonstrate the following benefits;

- Enhance the melting capabilities of rock salt down to 0 degrees F. when used by itself or with an onboard pre-wetting liquid.
- Reduce bounce and scatter of the granular products to be applied to the road surface.
- Demonstrate a residual effect on the applied road surface.
- The OBPE shall have a corrosion value less than that of distilled water.
- In addition the material shall meet the following general chemical requirements

GENERAL CHEMICAL REQUIREMENTS:

Note Well: This section applies only to products offered that **do not** have a Beneficial Use Determination (BUD) from New York State Department of Environmental Conservation. **HOWEVER, ALL PRODUCTS OFFERED MUST CONTAIN 250 PPM OR LESS PHOSPHORUS, CALCULATED ON AN UNDILUTED BASIS, WITH OR WITHOUT BENEFICIAL USE DETERMINATION.**

ITEM _____ ORGANIC SNOW AND ICE CONTROL PRODUCTS

Bids may not be accepted on any product that contains constituents in excess of the following established total concentration limits. Results are stated as Parts Per Million (ppm). If product exceeds any of the following constituents then the bidder shall identify the exception(s) and explain any mitigating circumstances. The State reserves the right to evaluate these exceptions and make a determination of product eligibility based on the best interests of the State.

| | |
|-----------------------|-------------------|
| Phosphorus 250.00 ppm | Chromium 0.50 ppm |
| Cyanide 0.20 ppm | Cadmium 0.20 ppm |
| Arsenic 5.00 ppm | Barium 75.00 ppm |
| Copper 0.50 ppm | Selenium 5.00 ppm |
| Lead 1.00 ppm | Zinc 10.00 ppm |
| Mercury 0.05 ppm | |

Chemical Analysis

Bidder shall supply a certified analysis conducted within the last 3 years from an independent laboratory showing compliance with all the above listed requirements **INCLUDING** those listed in the GENERAL CHEMICAL REQUIREMENT section above. Exceptions to the requirements must be stated and the State reserves the right to reject the product.

EQUIPMENT REQUIREMENT

When the price per gallon includes the mixing (Option B) the vendor shall deliver the necessary pug mill mixing equipment plant to the purchasing agents site, the mixing equipment shall be supplied with adjustable liquid flow controls and a qualified operator trained by the vendor. The pugmill shall be capable of receiving different blends of aggregates and salt to produce a homogeneous blend of aggregates, salt, and liquid as desired by the purchasing agency. The purchasing agency will provide the loader and operators to assist in the mixing process to obtain optimal mixing production.

METHOD OF MEASUREMENT:

The quantity of material to be paid for shall be by the gallon for either Option A or Option B.

BASIS OF BID:

The county requests bids in for each material designated as follows:

The unit price bid per gallon for Option A shall include all costs of furnishing and delivering the material to any point in Monroe County

ITEM ____ ORGANIC SNOW AND ICE CONTROL PRODUCTS

The unit price per gallon for Option B shall include all costs for the vendor furnishing, delivering the material and mixing (w/portable pugmill) the material with agency salt and aggregate at the agency storage facility.

BASIS OF PAYMENT:

Payment will be made under:

| Item No. | Description | Pay Unit |
|-----------------|---|-----------------|
| | Organic Snow and Ice control liquid (Option A- delivered) | Gallon |
| | Organic Snow and Ice control liquid (Option B delivered and mixed at agency storage facility) | Gallon |

ASPHALT PRICE ADJUSTMENT APPENDIX

Description

Price adjustments allowed will be based on the **September 1, 2014 average** of the F.O.B. terminal price per English ton of unmodified PG 64-22 binder without anti-stripping agent (base average F.O.B. terminal price). The new monthly average terminal price will be determined by the New York State Department of Transportation based on prices of preapproved primary sources of performance graded binder in accordance with the New York State Department of Transportation Standard Specification.

The **September 1, 2014** average terminal price is **\$630/Ton**

NOTE: The same grade of asphalt cement used in establishing the base average F.O.B. terminal price shall be used in establishing the new average F.O.B. terminal price.

In the event that one or more of the New York State Department of Transportation preapproved sources discontinue posting a price for asphalt cement, the base average F.O.B. terminal **price shall not be recalculated.**

- Price adjustments will be in accordance with the formula below and will be effective for deliveries made on and after the first of the month.
- The **unit prices per english ton of bituminous concrete material** purchased from any award based on this specification will be subject to adjustment based on the following formula:

$$\begin{array}{|c|} \hline \text{Price Adjustment} \\ \text{(per ton)} \\ \text{Asphalt} \\ \hline \end{array} = \begin{array}{|c|} \hline \text{New Monthly Average} \\ \text{(per english ton)} \\ \hline \end{array} - \begin{array}{|c|} \hline \text{Base Average} \\ \text{Terminal Price} \\ \hline \end{array} \times \begin{array}{|c|} \hline \text{Total \% Asphalt Plus Fuel} \\ \text{Allowance} \\ \hline \end{array}$$

- The **unit prices per square yard of paver placed surface treat 'Novachip'** material purchased from any award based on this specification will be subject to adjustment based on the following formula:

$$\begin{array}{|c|} \hline \text{'Novachip'} \\ \text{Adjustment} \\ \text{(per sq. yd.)} \\ \hline \end{array} = \begin{array}{|c|} \hline \text{New Monthly Average} \\ \text{(per english ton)} \\ \hline \end{array} - \begin{array}{|c|} \hline \text{Base Average} \\ \text{Terminal Price} \\ \hline \end{array} \times \begin{array}{|c|} \hline .07 \text{ (Total \%} \\ \text{petroleum (7\%)} \\ \hline \end{array} \times \begin{array}{|c|} \hline 0.03 \\ \hline \end{array}$$

- The **unit prices per square yard of fiber reinforced surface treatment** material purchased from any award based on this specification will be subject to adjustment based on the following formula:

$$\begin{array}{|c|} \hline \text{Fiber reinforced} \\ \text{Surface treatment} \\ \text{Adjustment} \\ \text{(per sq. yd.)} \\ \hline \end{array} = \begin{array}{|c|} \hline \text{New Monthly Average} \\ \text{(per english ton)} \\ \hline \end{array} - \begin{array}{|c|} \hline \text{Base Average} \\ \text{Terminal Price} \\ \hline \end{array} \times \begin{array}{|c|} \hline \text{Total \%} \\ \text{Asphalt Plus} \\ \text{Fuel} \\ \text{Allowance} \\ \hline \end{array} \times \begin{array}{|c|} \hline 0.40 \\ \hline \end{array}$$

- The **unit prices per gallon of liquid bituminous asphalt emulsions** material purchased from any award based on this specification will be subject to adjustment based on the following formula:

$$\begin{array}{|c|} \hline \text{Price adjustment} \\ \text{Per Gallon} \\ \hline \end{array} = \begin{array}{|c|} \hline \text{New Monthly Average} \\ \text{(per english ton)} \\ \hline \end{array} - \begin{array}{|c|} \hline \text{Base Average} \\ \text{Terminal Price} \\ \hline \end{array} \times \begin{array}{|c|} \hline \text{Total Allowable} \\ \text{Asphalt \& Fuel} \\ \text{Allowance} \\ \hline \end{array}$$

ASPHALT PRICE ADJUSTMENT APPENDIX

NEW MONTHLY AVERAGE F.O.B. TERMINAL PRICE:

The average F.O.B. terminal price for unmodified **PG 64-22** binder without anti-stripping agent as determined by the New York State Department of Transportation per New York State Department of Transportation Standard Specification.

BASE AVERAGE F.O.B. TERMINAL PRICE:

The average F.O.B. terminal price of unmodified PG 64-22 binder without anti-stripping agent as determined by the New York State Department of Transportation.

TOTAL % ASPHALT PLUS FUEL BY MATERIAL TYPE

The percentage of total allowable asphalt and fuel for each item is as follows:

| ITEM | % ASPHALT | + FUEL ALLOWANCE | TOTAL % ASPHALT + FUEL ALLOWANCE |
|--|-----------|------------------|----------------------------------|
| Type MC1 Binder Course | 5.75 | 1 | 6.75 |
| 6.3 mm F2 Polymer Modified | 6.7 | 1 | 7.7 |
| Flexible Overlay (Smooth Seal) | 7 | 1 | 8 |
| Flexible Top | 6.2 | 1 | 7.2 |
| True & Leveling F9, Superpave HMA, (All ESAL) | ** | 1 | *** % |
| Shim Course F9, Superpave HMA, (All ESAL) | 8.25 | 1 | 9.25 |
| Top Course 9.5 mm F2 Superpave HMA, (All ESAL) | 6.2 | 1 | 7.2 |
| Top Course 12.5 mm F2 Superpave HMA, (All ESAL) | 5.5 | 1 | 6.5 |
| Binder Course 19 mm F9 Superpave HMA, (All ESAL) | 4.9 | 1 | 5.9 |
| Binder Course 25 mm F9 Superpave HMA, (All ESAL) | 4.5 | 1 | 5.5 |
| Base Course 37.5 mm F9 Superpave HMA, (< 3 M ESAL's) | 4.0 | 1 | 5.0 |
| Paver placed surface treatment 'Novachip' | 7.00 | 0 | 7.00 % |
| Asphalt Emulsions | | | |
| CMS-2 | 65 | 12.2 | 77.2 % |
| CRS-2 | 65 | 3.2 | 68.2 % |
| CRS-2p | 65 | 3.2 | 68.2 % |
| CSS-1 | 57 | 0.2 | 57.2 % |
| CSS-1h | 57 | 0.2 | 57.2 % |
| RS-2 | 63 | 3.2 | 66.2 % |
| RS-2p | 63 | 3.2 | 66.2 % |
| HFRA | 65 | 5 | 70% |
| HFMS-2 | 65 | 10.2 | 75.2 % |
| HFMS-2gh | 75 | 3 | 78 % |
| HFMS-2h | 65 | 3.2 | 68.2 % |
| HFRS-2 | 63 | 3.2 | 66.2 % |
| HFRS-2p | 63 | 3.2 | 66.2 % |
| HFMS-2h Tack coat | 40 | 0.2 | 40.2 % |
| RS-1h (Rapid breaking tack) | 55 | 0.2 | 55.2 % |
| CSS-1h Tack Coat | 57 | 0.2 | 57.2 % |
| PG 64-22 (AC-20 w/ fiber crack fill) | 95 | 0 | 95 % |
| 18-64 | 100 | 0 | 100 % |
| Polymer Crack fill (ASTM D6690) | 56 | 0 | 56 % |
| MC 30 | 100 | 2 | 102% |
| DEC 50 | 25 | 25 | 50% |

** The conversion factor will be computed separately using the conversion factors for the individual mixture used

ASPHALT PRICE ADJUSTMENT APPENDIX

EXAMPLE: Item Asphalt Hot Top Course 9.5 mm F2 Superpave

Base Average Price = \$150.00

New Average Price = \$160.00

Total % Asphalt plus Fuel = 6.2%

$\$160.00 - \$150.00 \times 0.062 = +\$0.62$ per English Ton

***Fuel Allowance represents allowance for energy (fuel, electricity, natural gas) used in the production of asphalt. It is a cost associated with the product and not intended to represent any trucking or hauling of product.**

NOTE:

All materials with identical numbers preceding the decimal and identical first and second number after the decimal receive the price adjustment shown for the base material.

Positive Price Adjustment number shall be added to original bid price per English ton.

Negative Price Adjustment number shall be subtracted from original bid price per English ton.

Price adjustments allowed by this contract shall be calculated and applied to the original prices. **There will not be price adjustments unless** the change amounts to more than \$.10 per English ton from the original prices for asphalt hot mixes, and \$0.011 for asphalt emulsions and 'novachip'. In these instances prices will revert back to the original prices.

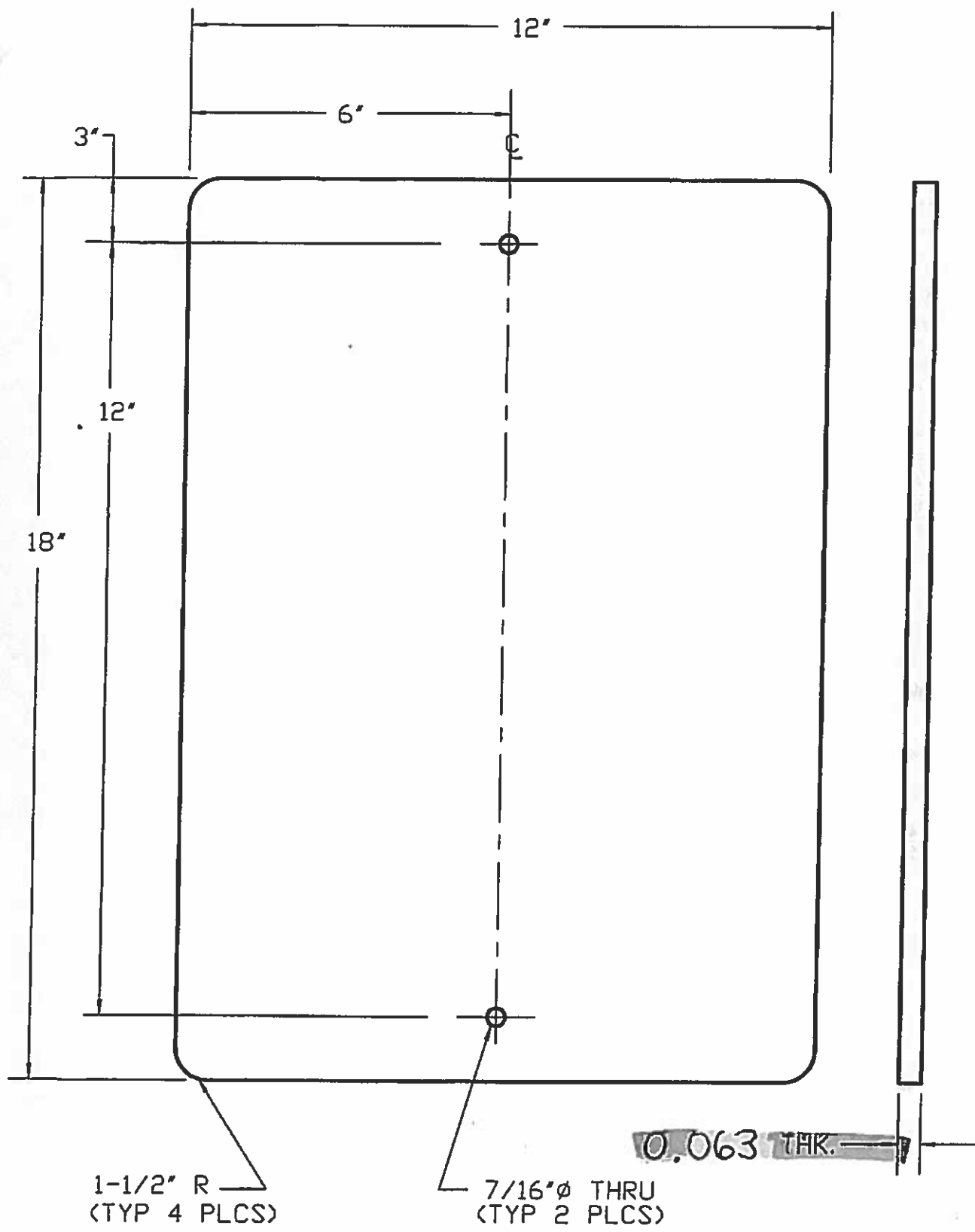
All price adjustments will be computed to three decimal places.

Should these provisions result in a price structure which becomes unworkable, detrimental or injurious to the State or in prices which are not truly reflective of market conditions or which are deemed by the Commissioner to be unreasonable or excessive, and no adjustment in price is mutually agreeable, the Commissioner reserves the sole right upon ten days written notice mailed to the contractor to terminate any contract resulting from this bid opening.

Price adjustment shall be published by the State and issued to all contract holders, whose responsibility will be to attach the appropriate state notification (based on when the work was performed) to the payment invoice submitted to agency.

Work performed after the expiration of the contract, where no extension has been granted, resultant from purchase orders placed prior to expiration of the contract will receive the price adjustments in effect the last month of the contract.

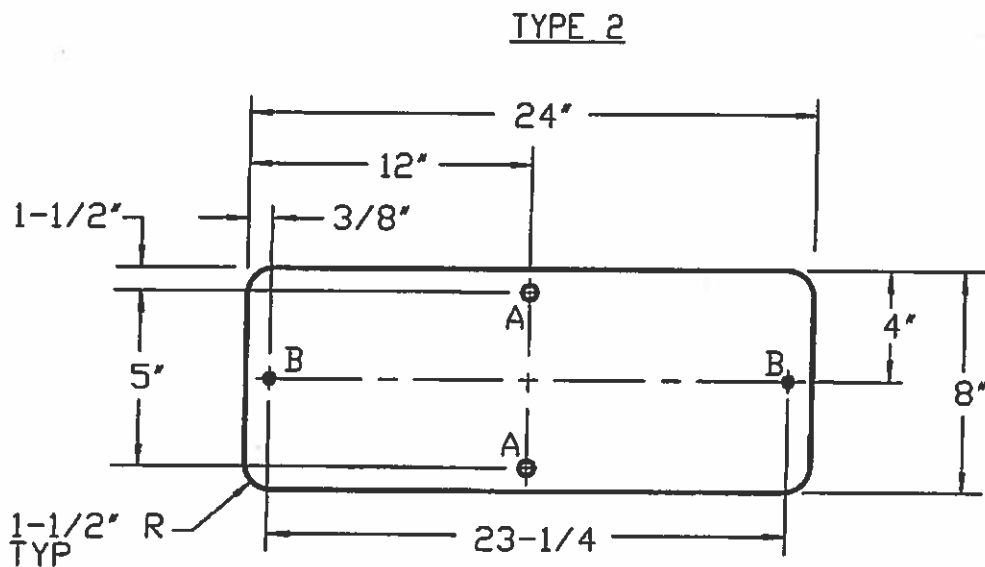
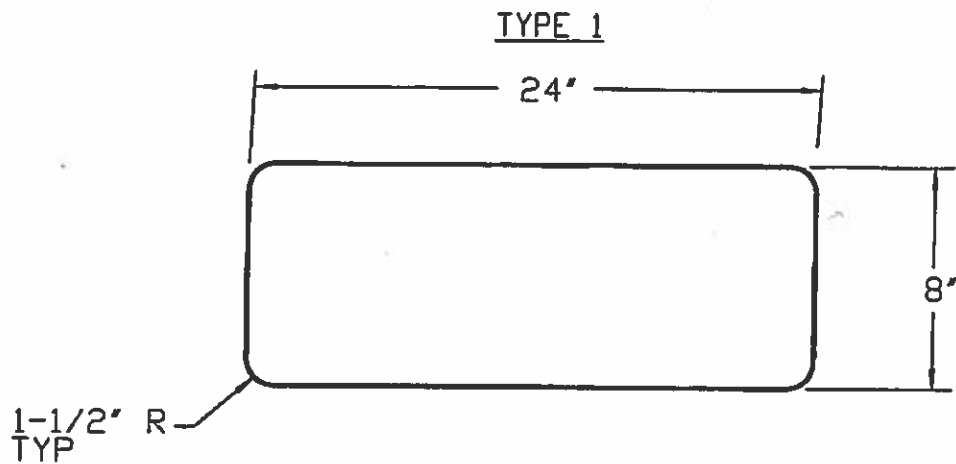
Price adjustment for any contracts that are extended will be based on the new average for the month in which the work is done applying the same base established for that contract.



1/9/06

REVISED

12x18 (2 HOLES)
NOT TO SCALE



NOTE : SIGN THICKNESS SHALL BE 1/16" (0.063 in) THICK

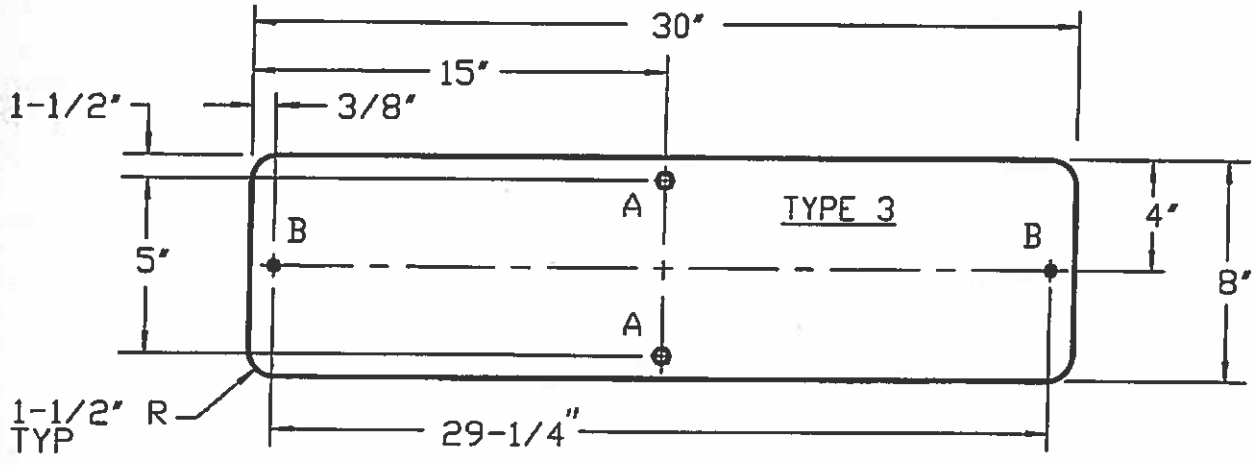
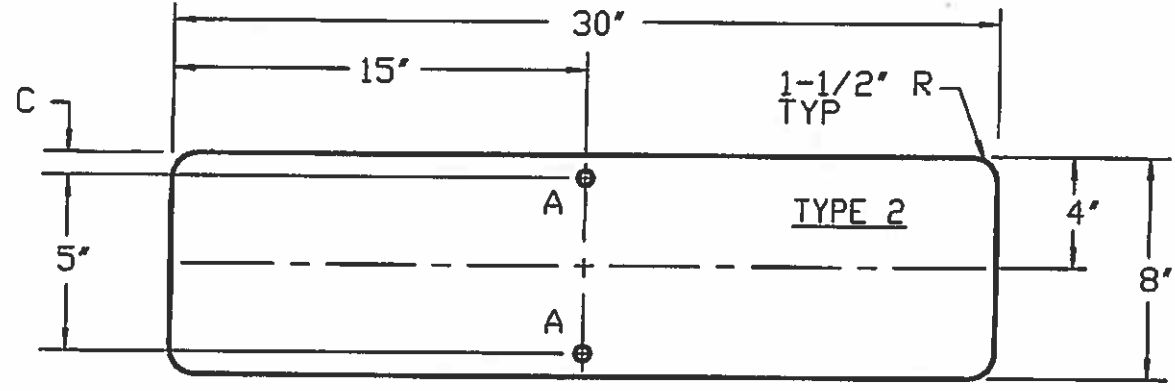
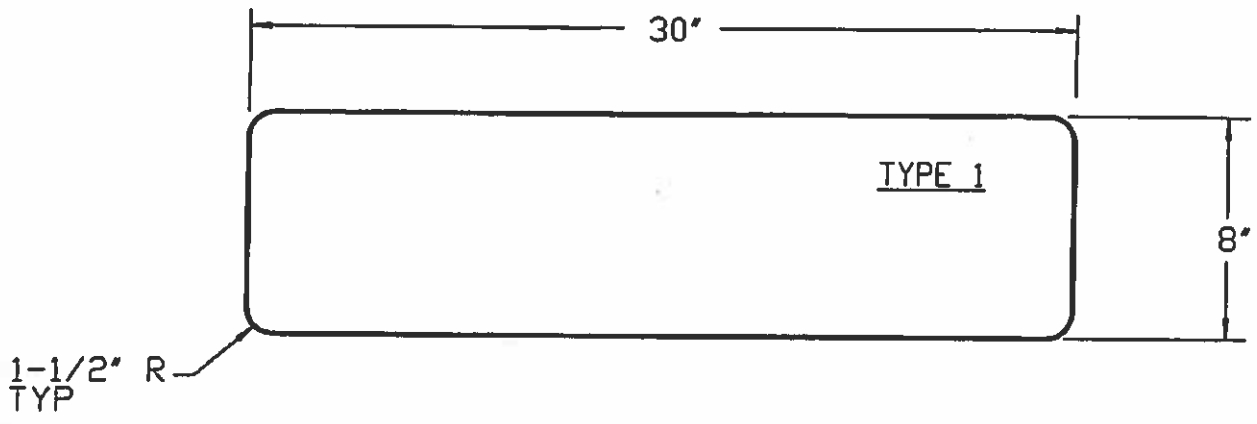
| TYPE | DESCRIPTION | HOLE A | HOLE B |
|------|---------------|--------|--------|
| 1 | WITH NO HOLES | ---- | ---- |
| 2 | WITH 4 HOLES | 7/16" | 3/16" |

1/9/06

REVISED

8x24

NOT TO SCALE



NOTE : SIGN THICKNESS SHALL BE 1/16" (0.063 IN) THICK

| TYPE | DESCRIPTION | HOLE A | HOLE B | DIM C | DIM X | DIM Y |
|------|---------------|--------|--------|--------|-------|-------|
| 1 | WITH NO HOLES | ---- | ---- | ---- | ---- | ---- |
| 2 | WITH 2 HOLES | 7/16" | ---- | 1" | 6" | ---- |
| 3 | WITH 4 HOLES | 3/8" | 3/16" | 1-1/2" | 5" | 3/8" |

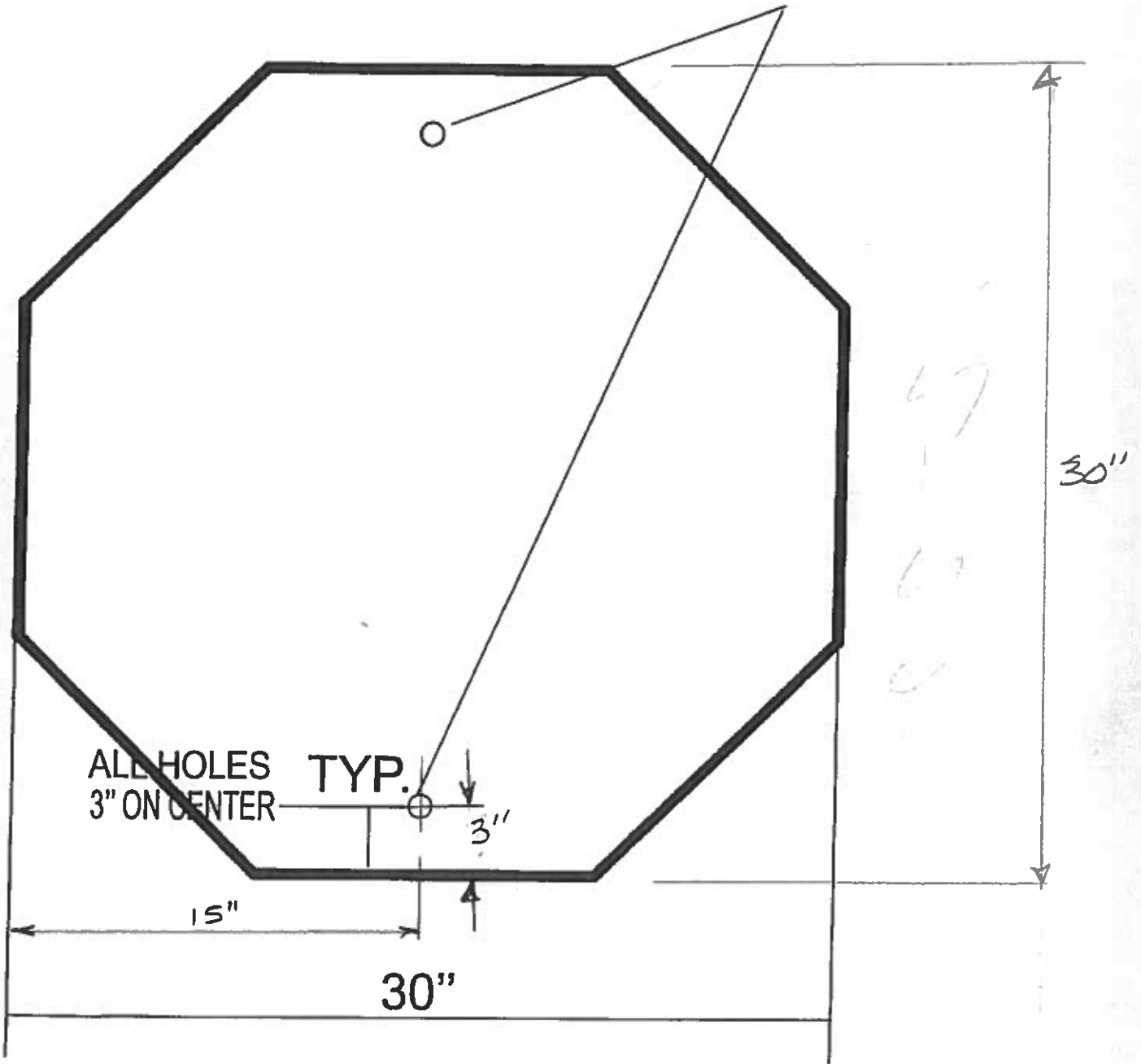
1/9/06

8x30

NOT TO SCALE

REVISED

7/16" HOLES TYP.

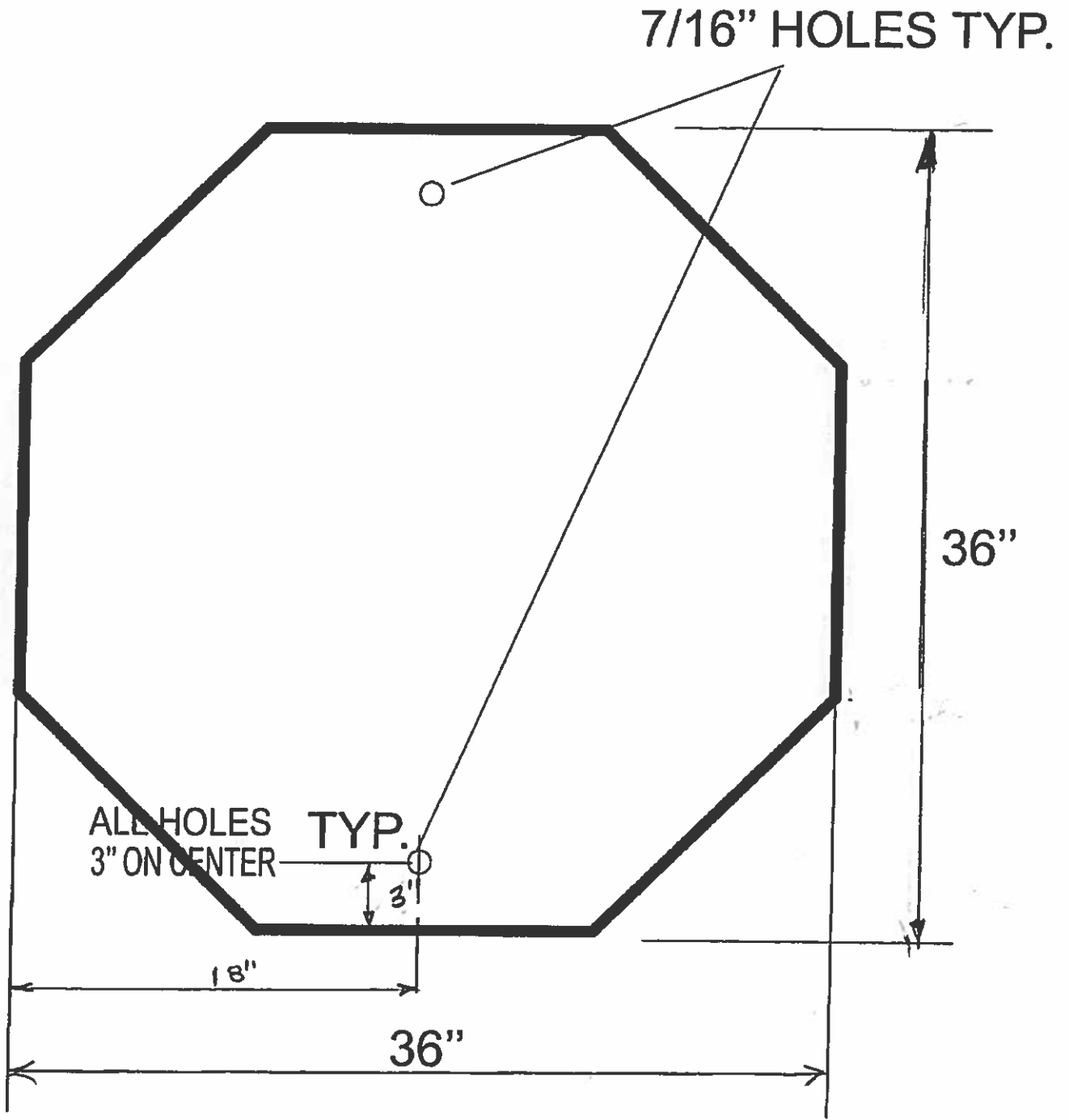


ALL HOLES
3" ON CENTER TYP.

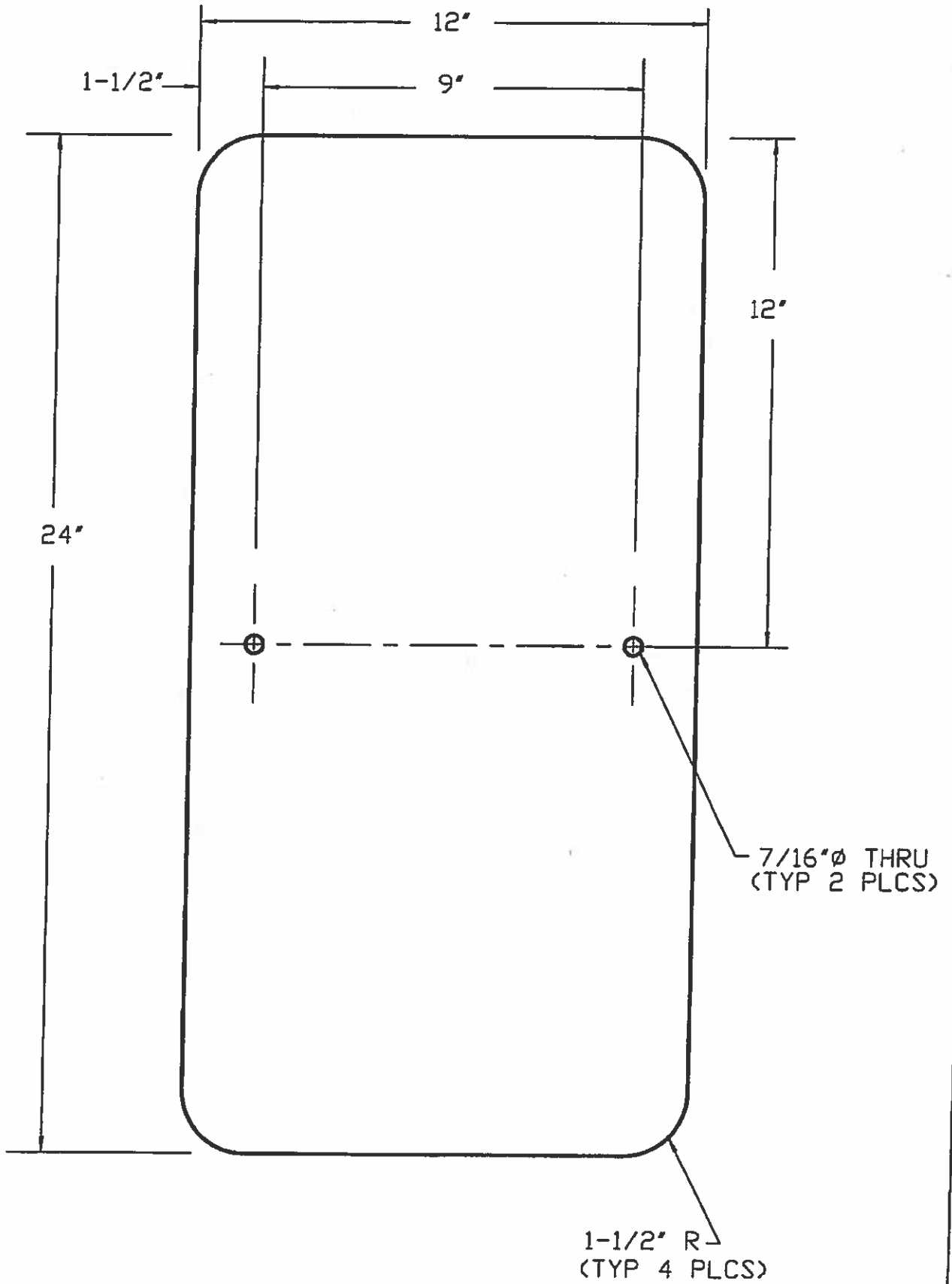
30"

30" OCTAGON

NOT TO SCALE



36" OCTAGON
NOT TO SCALE



1/9/06

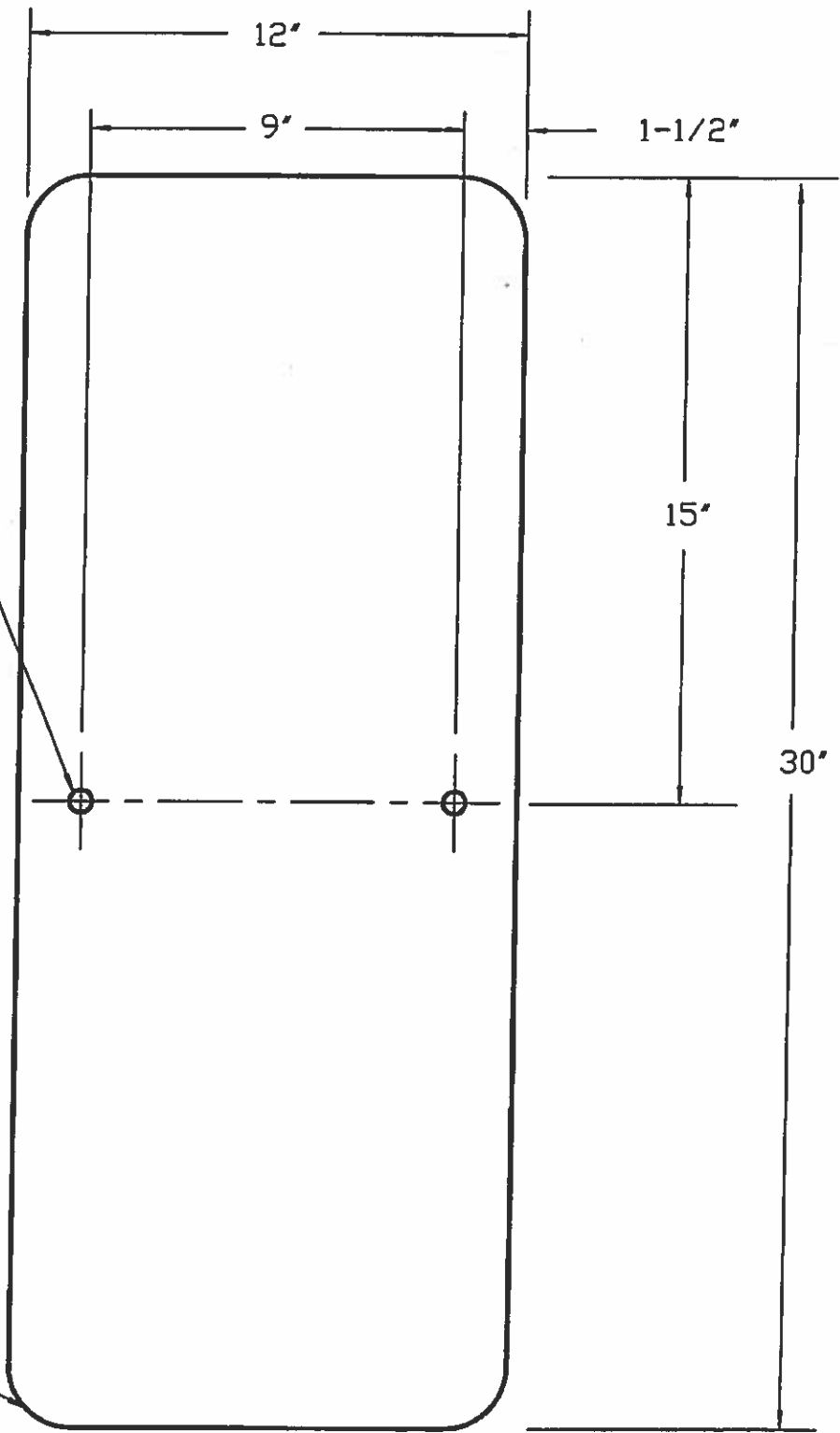
REVISED

12x24 (2 HOLES)

NOT TO SCALE

7/16"Ø THRU
(TYP 2 PLCS)

1-1/2" R
(TYP 4 PLCS)

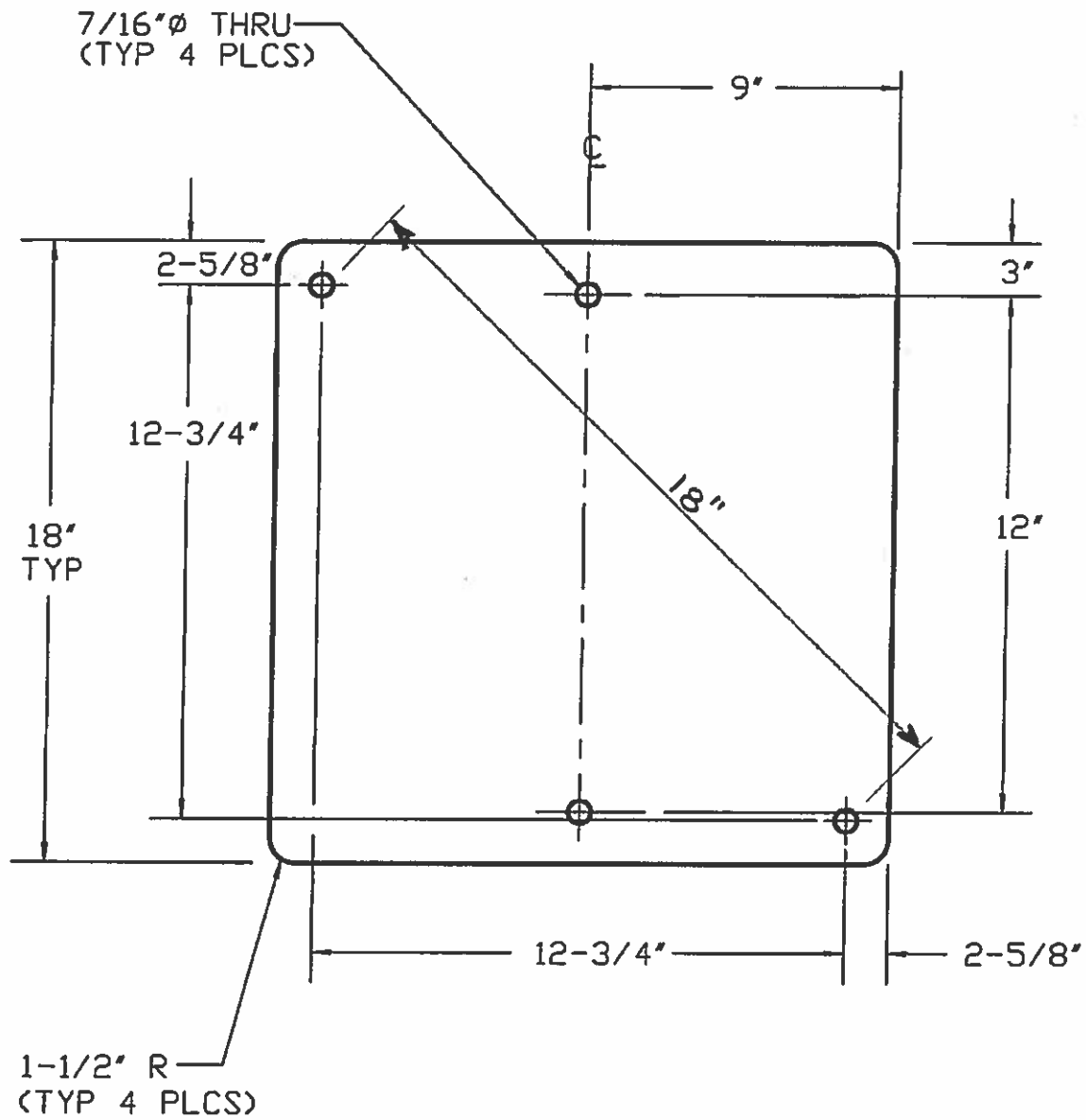


1/9/06

REVISED

12x30 (2 HOLES)

NOT TO SCALE



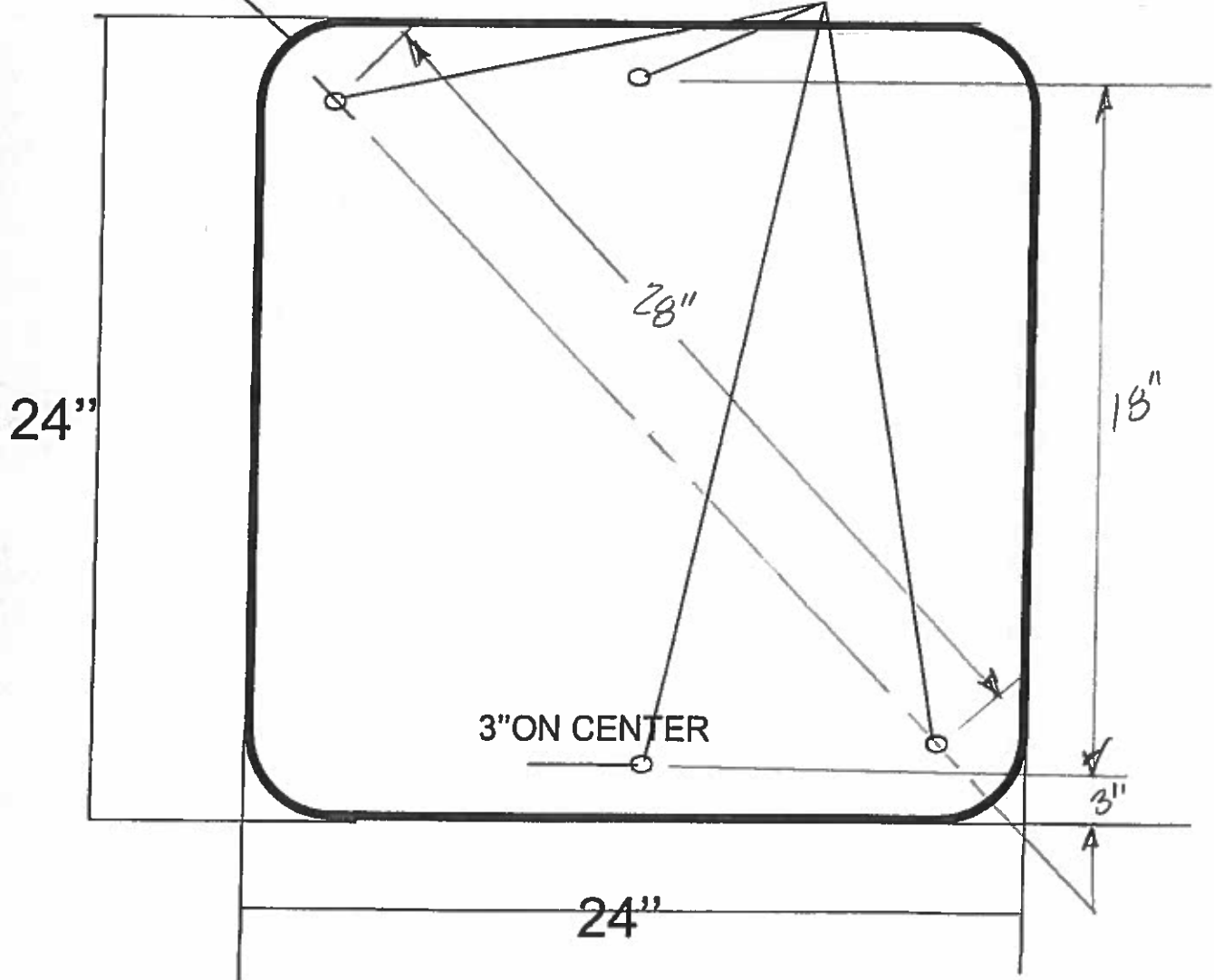
1/9/06

REVISED

18x18 (4 HOLES)
NOT TO SCALE

1-1/2" RADIUS TYP.

7/16" HOLES TYP.

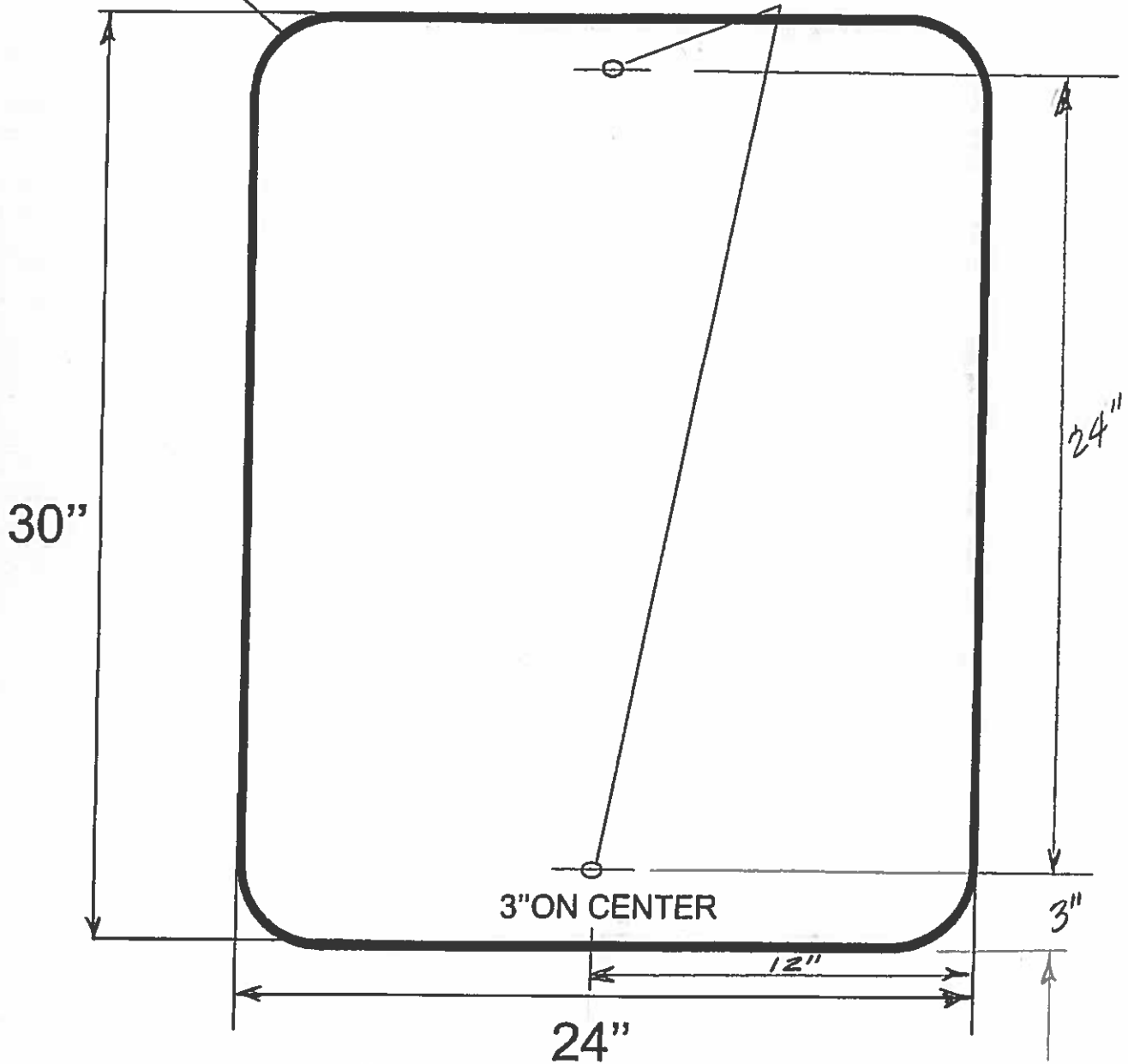


24" x 24" (4 HOLES)

NOT TO SCALE

1-1/2" RADIUS TYP.

7/16" HOLES TYP.

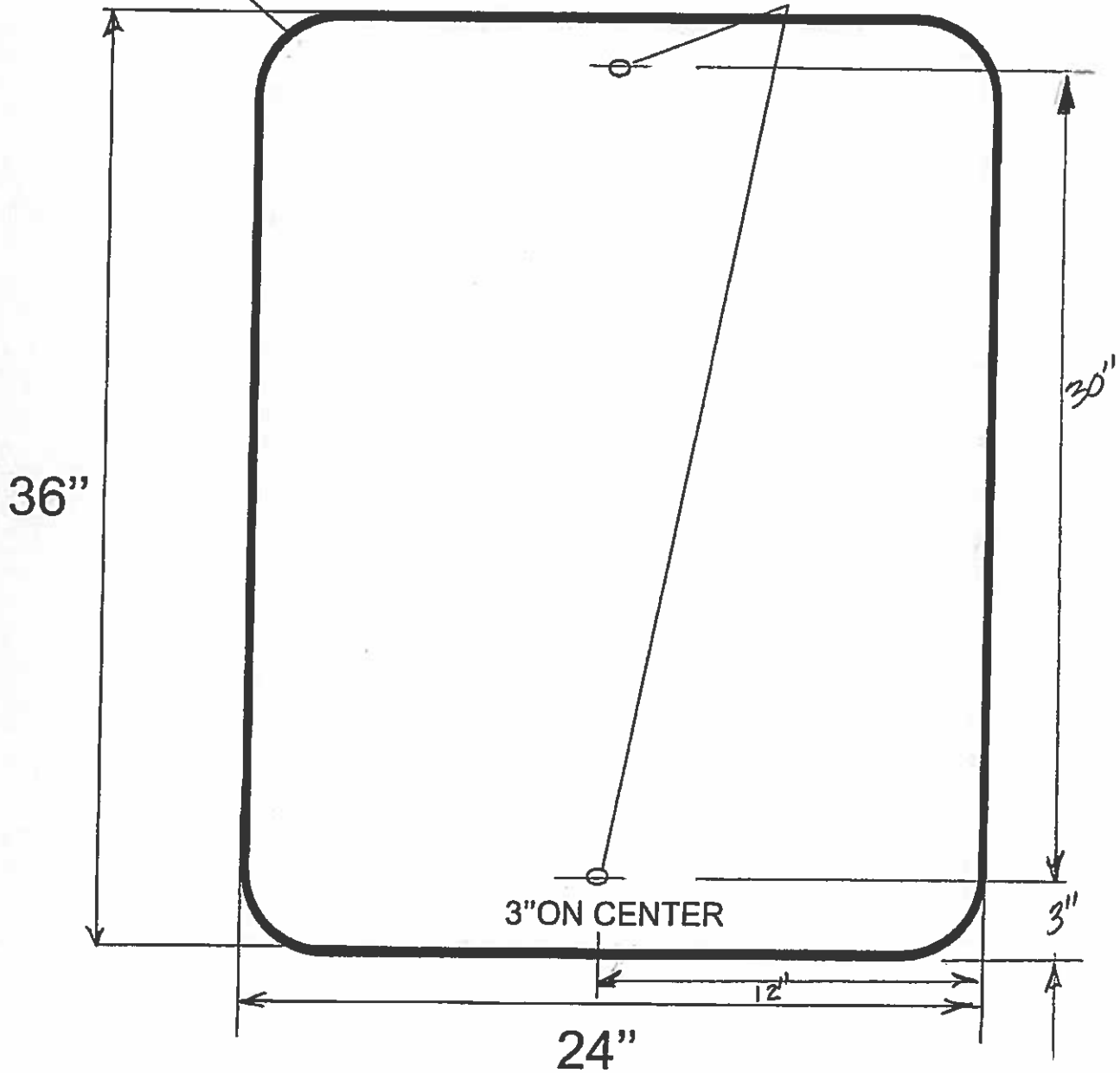


24" X 30" (2 HOLES)

NOT TO SCALE

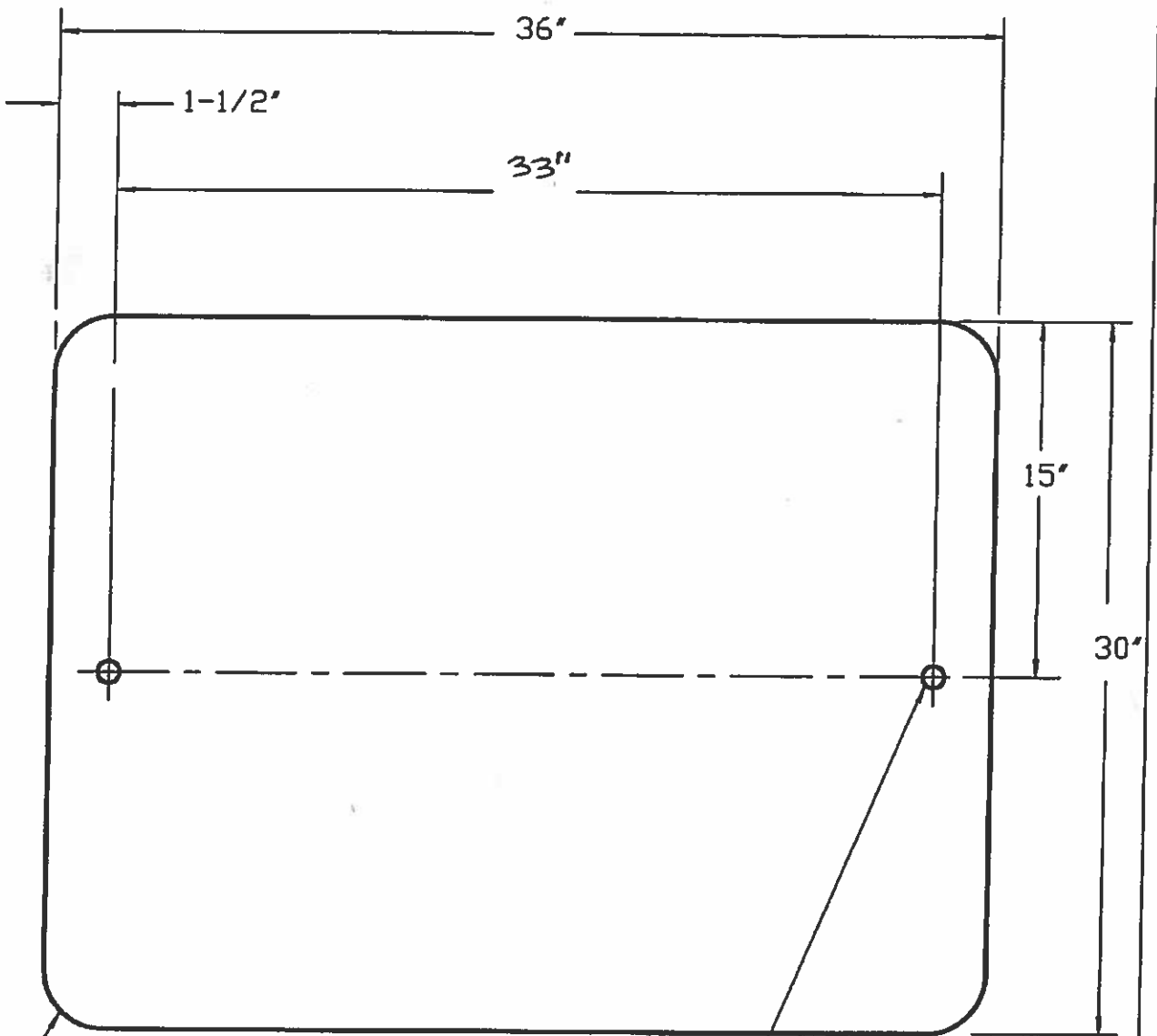
1-1/2" RADIUS TYP.

7/16" HOLES TYP.



24" X 36" (2 HOLES)

NOT TO SCALE



1-1/2" R
(TYP 4 PLCS)

7/16" ϕ THRU
(TYP 4 PLCS)

1/9/06

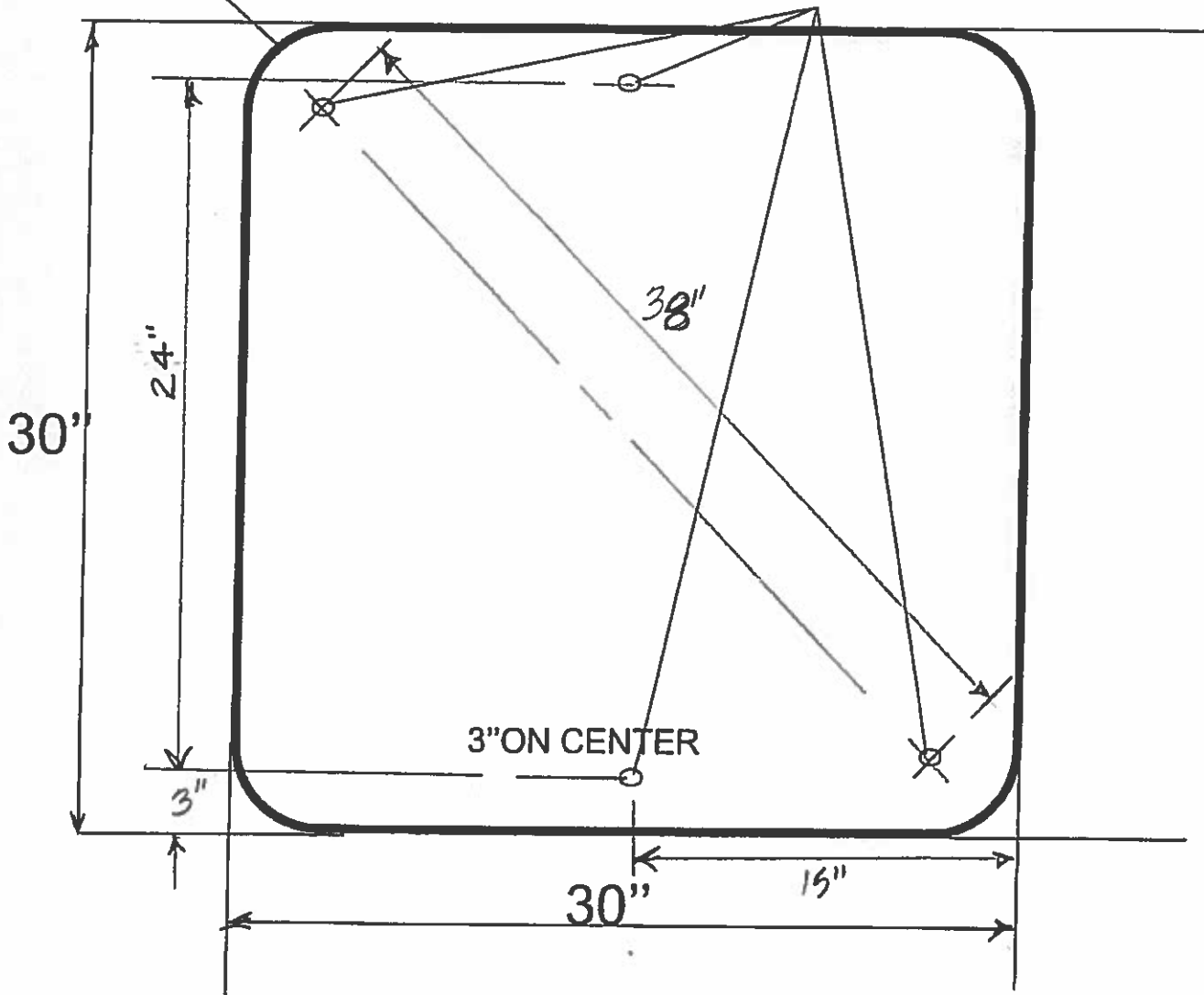
REVISED

30x36 (2 HOLES)

NOT TO SCALE

1-1/2" RADIUS TYP.

7/16" HOLES TYP.

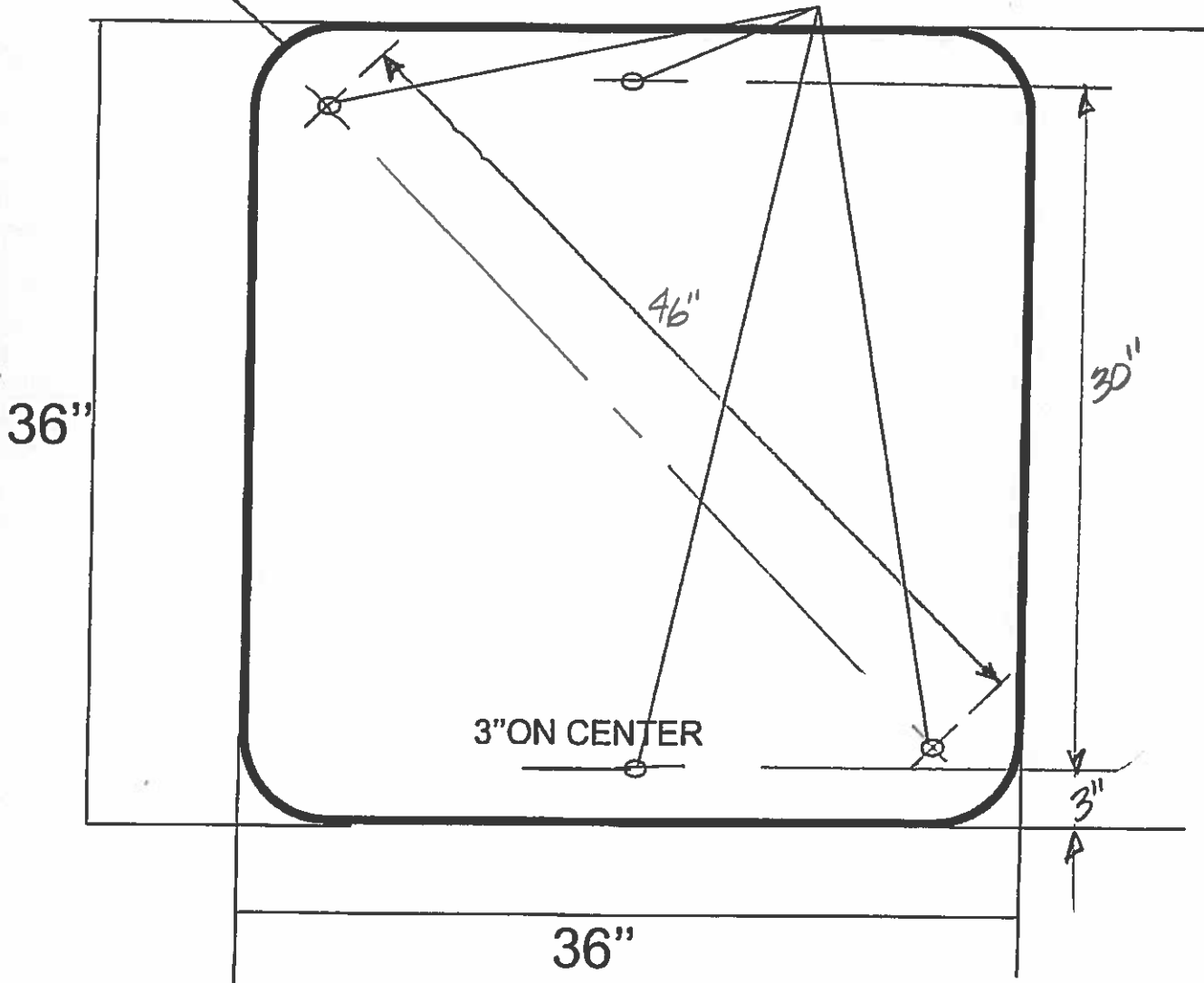


30" x 30" (4 HOLES)

NOT TO SCALE

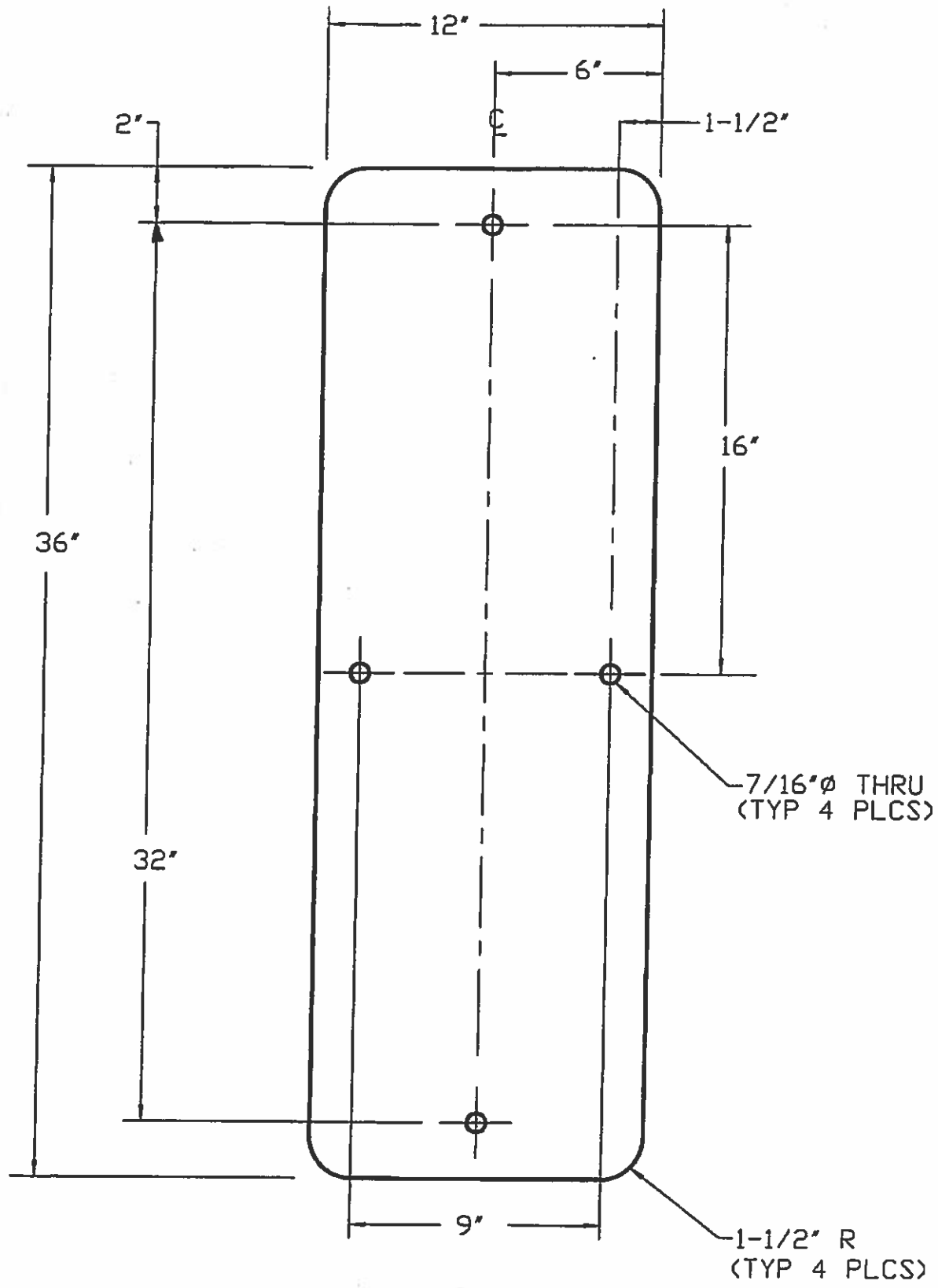
1-1/2" RADIUS TYP.

7/16" HOLES TYP.



36" x 36" (4 HOLES)

NOT TO SCALE

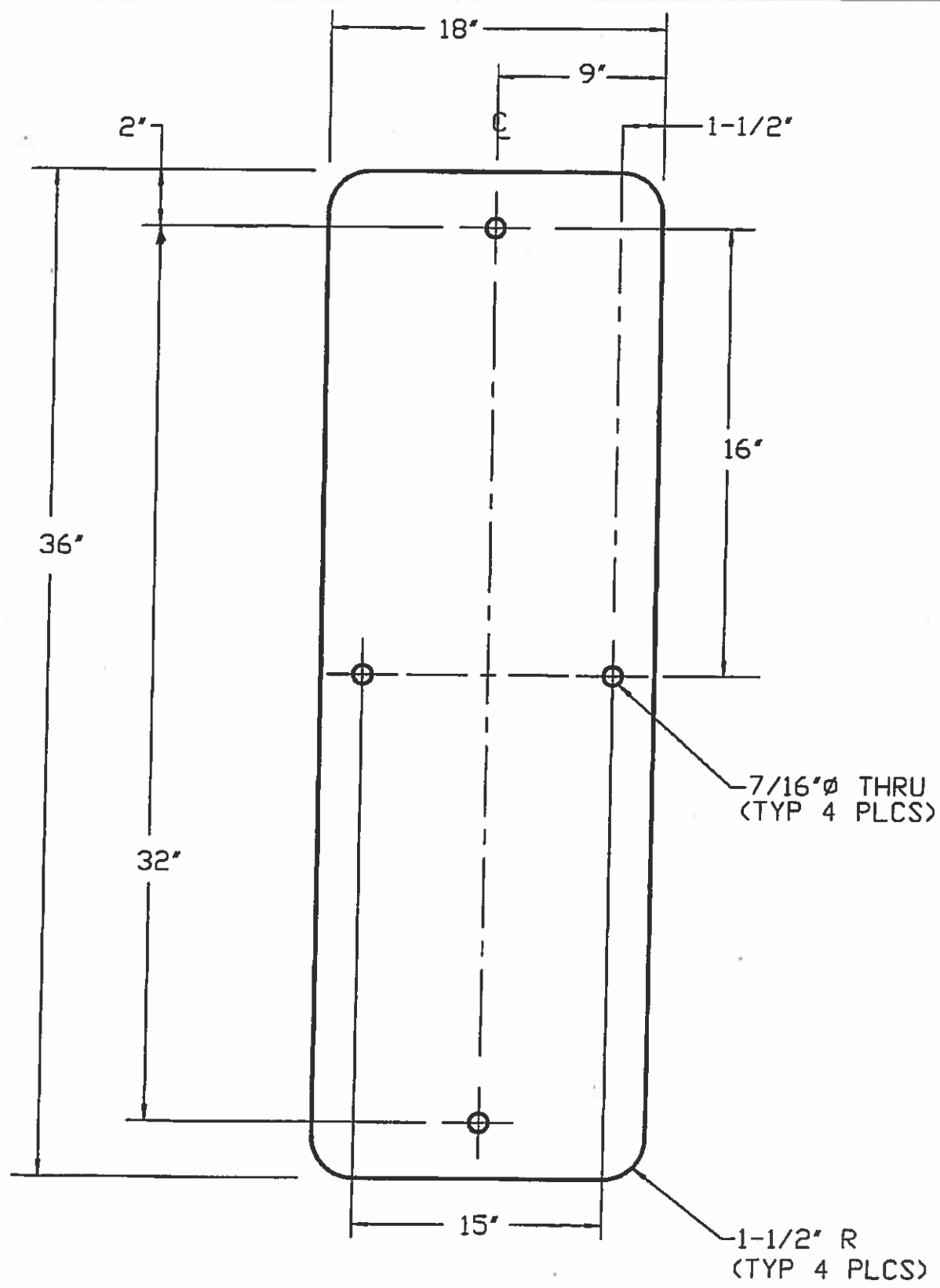


1/9/06

REVISED

12x36 (4 HOLES)

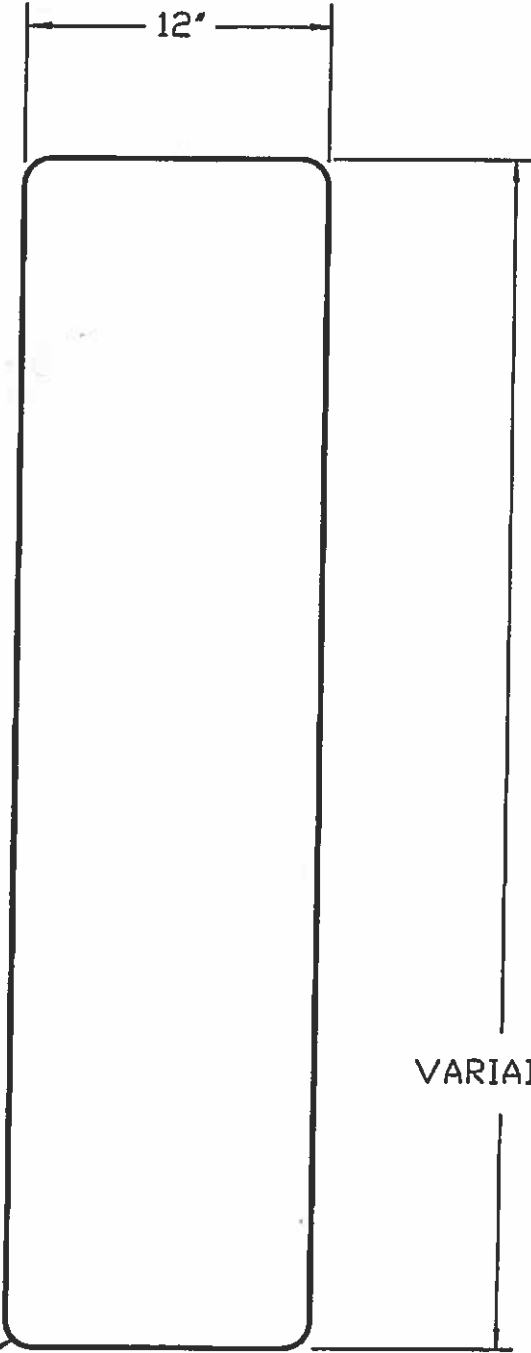
NOT TO SCALE



1/9/06

REVISED

18x36 (4 HOLES)
NOT TO SCALE



VARIABLE

1-1/2" R
(TYP 4 PLCS)

| VARIABLE SIZES |
|----------------|
| 12" x 36" |
| 12" x 42" |
| 12" x 48" |
| 12" x 54" |
| 12" x 60" |
| 12" x 72" |

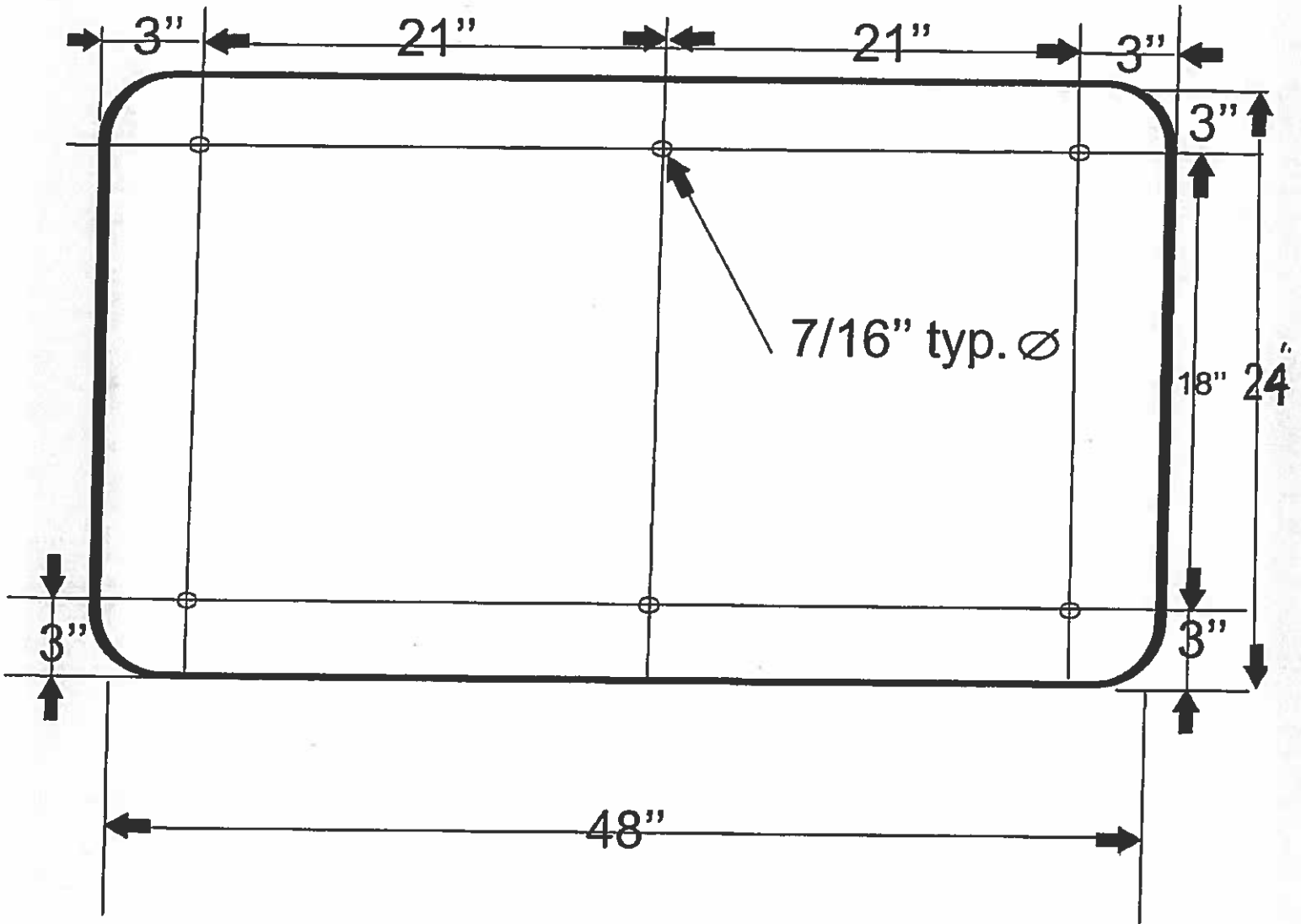
1/9/06

REVISED

12xVARIABLE (NO HOLES)

NOT TO SCALE

7/16" HOLES TYP.



24" x 48" (6 HOLES)
NOT TO SCALE